

PARTS CATALOGUE

F15 (6AG3)

F15C'09 (6AG3)

F20 (6AH3)

F20B'09 (6AH3)



2008/12/12

1H6AG-100E1

()

NEWS NO.	DATE	COMMENT
PE0-OM-080074	Nov.,13,2008	MOD:FIG.39 REMO CON ATTACHMENT FIG ADDITION

F15/F20
F15C/F20B
PARTS CATALOGUE
©2008 by Yamaha Motor Co., Ltd.
1st edition, March 2008
All rights reserved.
Any reprinting or unauthorized use
without the written permission of
Yamaha Motor Co., Ltd.
is expressly prohibited.
Printed in Japan.

FOREWORD

This Parts Catalogue is related to the parts for the model(s) on the cover page. When you are ordering replacement parts, please refer to this Parts Catalogue and quote both part numbers and part names correctly.

1. Modifications or additions which have been made after the issue of the Parts Catalogue will be announced in the Parts News.
It is advisable that you make the necessary corrections to the Parts Catalogue according to the Parts News.

2. Abbreviations

The following abbreviations are used in this Parts Catalogue.

“UR” Use specified parts number.

“UN” Use as many as needed.

“AP” Alternate Parts

“LM” Locally Made (Parts need to be ordered locally)

“F#” Frame No. (Applicable machine No.)

“O/S” Over Size

3. The number of components for assembly

- Parts, which are to be supplied in an assembly, are listed with a dot (.) in front of the part name as shown below.
- The numeral appearing to the right of each component part indicates the quantity of parts for each assembly unit.

PART NO.	DESCRIPTION	Q'TY	REMARKS
2F5-83310-60	FRONT FLASHER LIGHT ASSY	2	
115-83311-60	.BULB (6V-18W)	1	

4. Applicable colours of graphics are represented in the “REMARKS” as shown below.

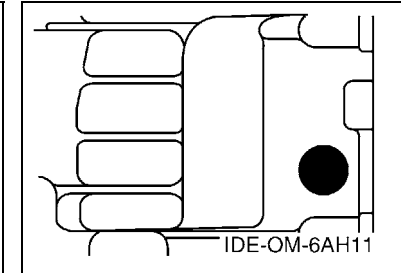
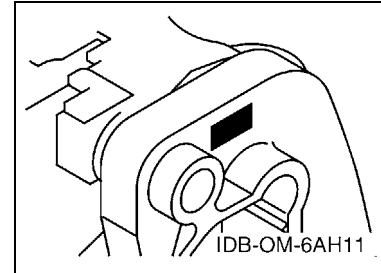
PART NO.	DESCRIPTION	Q'TY	REMARKS
2N4-24110-00-X5	FUEL TANK COMP.	2	MXR
3J1-24240-10	.GRAPHIC, FUEL TANK	1	FOR MXR

5. Note that the illustrations for reference in finding parts numbers are not to be used for assembling. When assembling, please use the applicable service manual.

6. The asterisk (*) before a reference number indicates modified items after the first edition.

7. Applicable Serial No.

Engine Serial No.



8. Applicable Engine Starting Serial No.

Model	Serial No.	Model	Serial No.
F15	6AGK-1012100	F15C	6AGK-1012100
F20	6AHK-1016505	F20B	6AHK-1016505

9. Applicable Colour Code

Abbreviation	Colour Name	Colour Code
DBNM2	DARK BLUISH GRAY METALLIC 2	004D

10. Quantity Column Information

Column No.	Name Of Q'ty Column	Applicable Model
1	MH	F15MHH,F15CMH,F20MHH,F20BMH
2	EH	F15EHH,F15CEH,F20EHH
3	PH	F20PHH,F20BEHP
4	PR	F20PRH,F20BEP

CONTENTS

TOP COWLING	1
CYLINDER & CRANKCASE 1	2
CRANKSHAFT & PISTON	4
CYLINDER & CRANKCASE 2	5
VALVE	6
INTAKE	7
CARBURETOR	8
OIL PUMP	10
FUEL	11
STARTER	13
GENERATOR	15
ELECTRICAL 1	16
ELECTRICAL 2	18
ELECTRICAL 3	20
ELECTRICAL 4	21
ELECTRICAL 5	23
STARTING MOTOR	24
BOTTOM COWLING	25
STEERING	28
STEERING FRICTION	30
CONTROL 1	31
CONTROL 2	33
BRACKET 1	35
BRACKET 2	37
BRACKET 3	39
POWER TILT ASSY	41
UPPER CASING	44
OIL PAN	45
LOWER CASING & DRIVE 1	46
LOWER CASING & DRIVE 2	49
FUEL TANK 1	51
FUEL TANK 2	52
STEERING GUIDE	53
REMOTE CONTROL BOX	54
REMOTE CONTROL ASSY	55
REPAIR KIT 1	58
REPAIR KIT 2	59
REPAIR KIT 3	60

INDEX

NUMERICAL INDEX	62
-----------------------	----

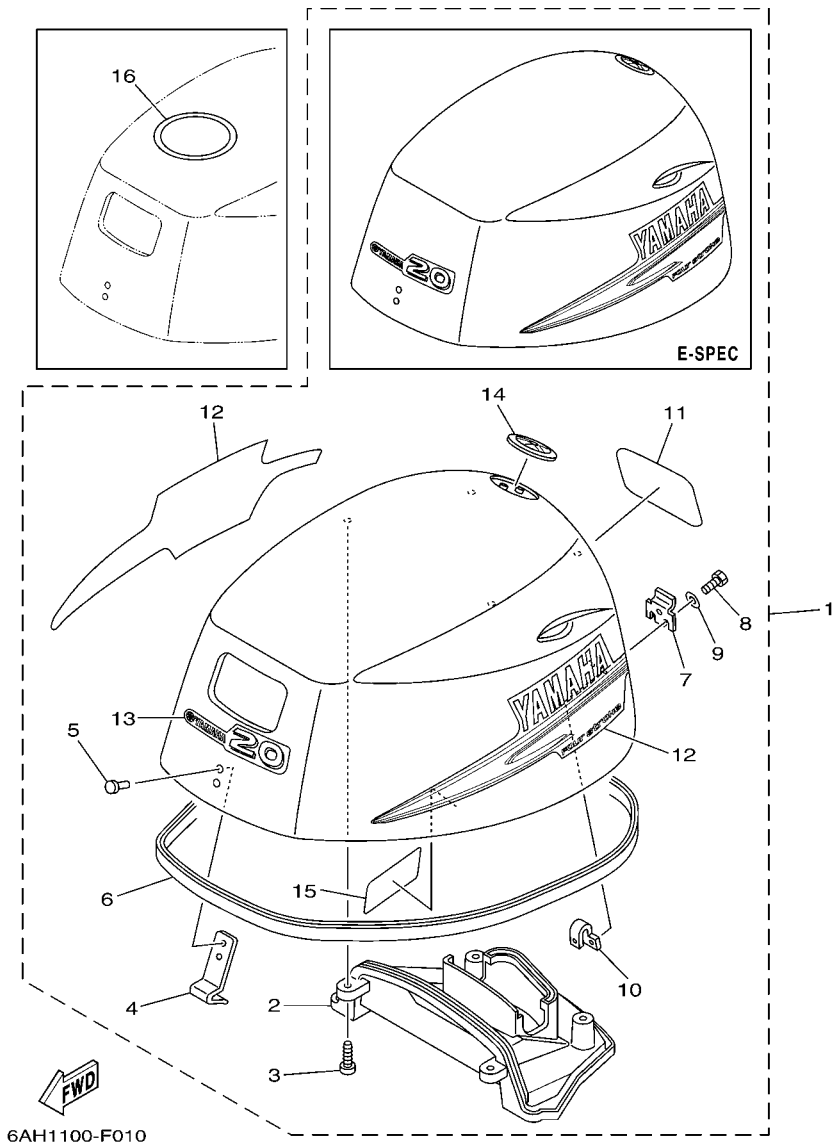
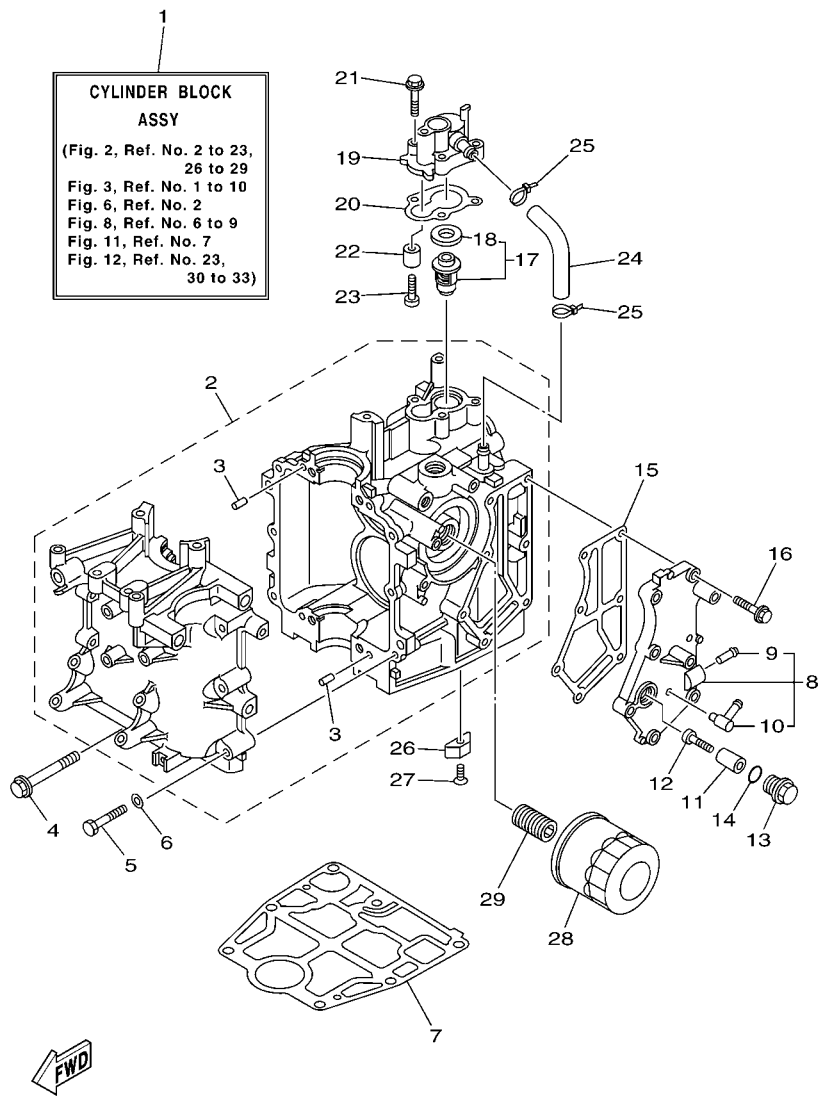


FIG. 1 TOP COWLING

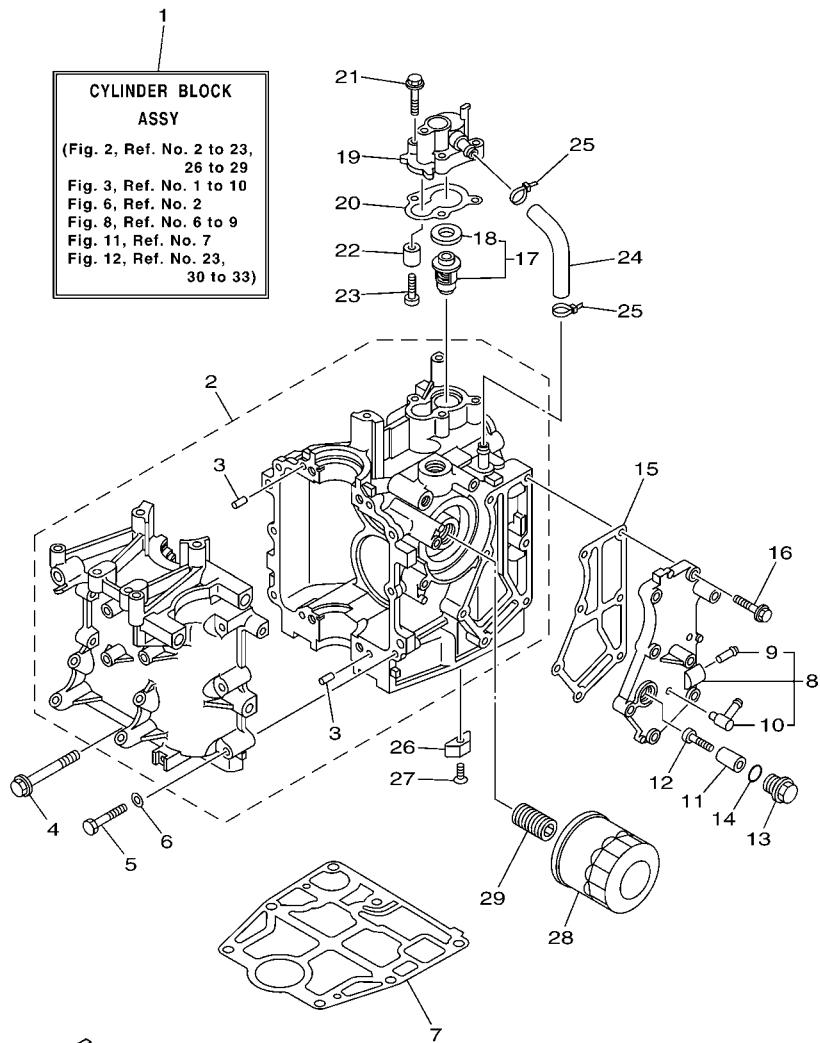
REF. NO.	PART NO.	DESCRIPTION	MH	EH	PH	PR	REMARKS
1	6AH-42610-01-4D	TOP COWLING ASSY	1				F20,F20B
	6AG-42610-01-4D	TOP COWLING ASSY	1				F15,F15C
	6AH-42610-11-4D	TOP COWLING ASSY		1	1	1	F20,F20B
	6AG-42610-11-4D	TOP COWLING ASSY		1			F15,F15C
2	6AH-42613-00	.MOLDING, AIR DUCT	1	1	1	1	
3	97780-50616	.SCREW, TAPPING	4	4	4	4	
4	6AH-42651-00	.HOOK	1	1	1	1	
5	90266-06M02	.RIVET	2	2	2	2	
6	6AH-42615-00	.SEAL	1	1	1	1	
7	60R-42652-00	.HOOK	1	1	1	1	
8	97095-05014	.BOLT	2	2	2	2	
9	92995-05600	.WASHER	2	2	2	2	
10	6AH-42649-00	.HOLDER, CLAMP BAND	1	1	1	1	
11	6AH-42678-00	.GRAPHIC, REAR	1	1	1	1	F20,F20B
	6AG-42678-00	.GRAPHIC, REAR	1	1			F15,F15C
12	6AH-W0070-00	.GRAPHIC SET	1	1	1	1	
13	65W-42677-10	.GRAPHIC, FRONT	1	1	1	1	F20,F20B
	6AG-42677-00	.GRAPHIC, FRONT	1	1			F15,F15C
14	6AH-42697-01	.TUNING FORK MARK	1	1	1	1	
15	6AH-42735-00	.PROTECTOR	1	1	1	1	
16	67F-13434-10	LABEL, CAUTION	1	1	1	1	



6AH1300-F020

FIG. 2 CYLINDER & CRANKCASE 1

REF. NO.	PART NO.	DESCRIPTION	MH	EH	PH	PR	REMARKS
1	6AH-W009B-00-1S	CYLINDER BLOCK ASSY	1	1	1	1	
2	6AH-15100-00-1S	CRANKCASE ASSY	1	1	1	1	
3	93606-12019	.PIN, DOWEL	4	4	4	4	
4	90119-08093	BOLT, WITH WASHER	4	4	4	4	
5	97013-06040	BOLT	6	6	6	6	
6	92903-06600	WASHER, PLATE	6	6	6	6	
7	6AH-11351-00	GASKET, CYLINDER	1	1	1	1	
8	6AH-41113-00-1S	OUTER COVER, EXHAUST	1	1	1	1	
9	650-24378-00	.PIPE, JOINT 4	1	1	1	1	
10	676-11372-00	.NIPPLE, HOSE	1	1	1	1	
11	6G8-11325-00	ANODE	1	1	1	1	
12	97880-05025	SCREW, PAN HEAD	1	1	1	1	
13	6G8-11197-01	PLUG, BLIND	1	1	1	1	
14	93210-13M63	O-RING	1	1	1	1	
15	6AH-41114-00	GASKET, EXHAUST OUTER COVER	1	1	1	1	
16	90119-06MA3	BOLT, WITH WASHER	7	7	7	7	
17	6AH-12411-00	THERMOSTAT	1	1	1	1	
18	688-12412-00	.SEAL, THERMOSTAT	1	1	1	1	
19	6AH-12413-00-1S	COVER, THERMOSTAT	1	1	1	1	
20	6AH-12414-00	GASKET, COVER	1	1	1	1	
21	90119-06MA3	BOLT, WITH WASHER	3	3	3	3	
22	6G8-11325-00	ANODE	1	1	1	1	
23	97880-05025	SCREW, PAN HEAD	1	1	1	1	
24	6AH-12481-00	PIPE 1	1	1	1	1	
25	90465-11M10	CLAMP	2	2	2	2	
26	6E5-11325-00	ANODE	1	1	1	1	
27	98780-04016	SCREW, FLAT HEAD	1	1	1	1	

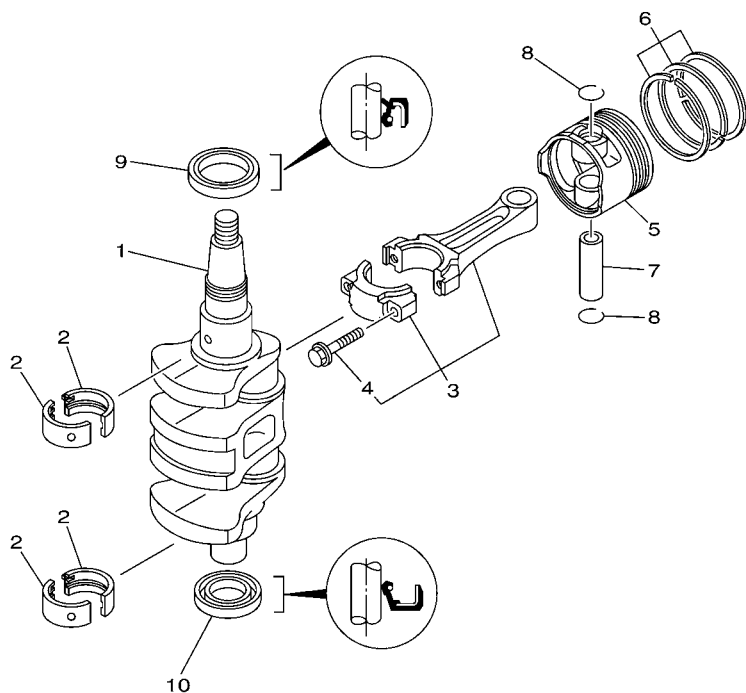


6AH1300-F020

FIG. 2 CYLINDER & CRANKCASE 1

REF. NO.	PART NO.	DESCRIPTION	MH	EH	PH	PR	REMARKS
28	5GH-13440-20	ELEMENT ASSY, OIL CLEANER	1	1	1	1	
29	6C5-12858-00	BOLT, UNION	1	1	1	1	

FIG. 3 CRANKSHAFT & PISTON




6AH1100-F030

REF. NO.	PART NO.	DESCRIPTION	MH	EH	PH	PR	REMARKS
1	6AH-11411-00	CRANKSHAFT	1	1	1	1	
2	6AH-11416-00	PLANE BEARING, CRANKSHAFT 1	4	4	4	4	UR BLUE
	6AH-11416-10	PLANE BEARING, CRANKSHAFT 1	4	4	4	4	UR BLACK
	6AH-11416-20	PLANE BEARING, CRANKSHAFT 1	4	4	4	4	UR BROWN
3	6AH-11650-00	CONNECTING ROD ASSY	2	2	2	2	
4	6AH-11654-00	.BOLT, CONNECTING ROD	2	2	2	2	
5	6AH-11631-00	PISTON (STD)	2	2	2	2	
	6AH-11635-00	PISTON (0.25MM O/S)	2	2	2	2	AP
	6AH-11636-00	PISTON (0.50MM O/S)	2	2	2	2	AP
6	6AH-11603-00	PISTON RING SET (STD)	2	2	2	2	
	6AH-11604-00	PISTON RING SET (0.25MM O/S)	2	2	2	2	AP
	6AH-11605-00	PISTON RING SET (0.50MM O/S)	2	2	2	2	AP
7	137-11633-10	PIN, PISTON	2	2	2	2	
8	93450-17129	CIRCLIP	4	4	4	4	
9	93102-37004	OIL SEAL	1	1	1	1	
10	93102-25014	OIL SEAL	1	1	1	1	

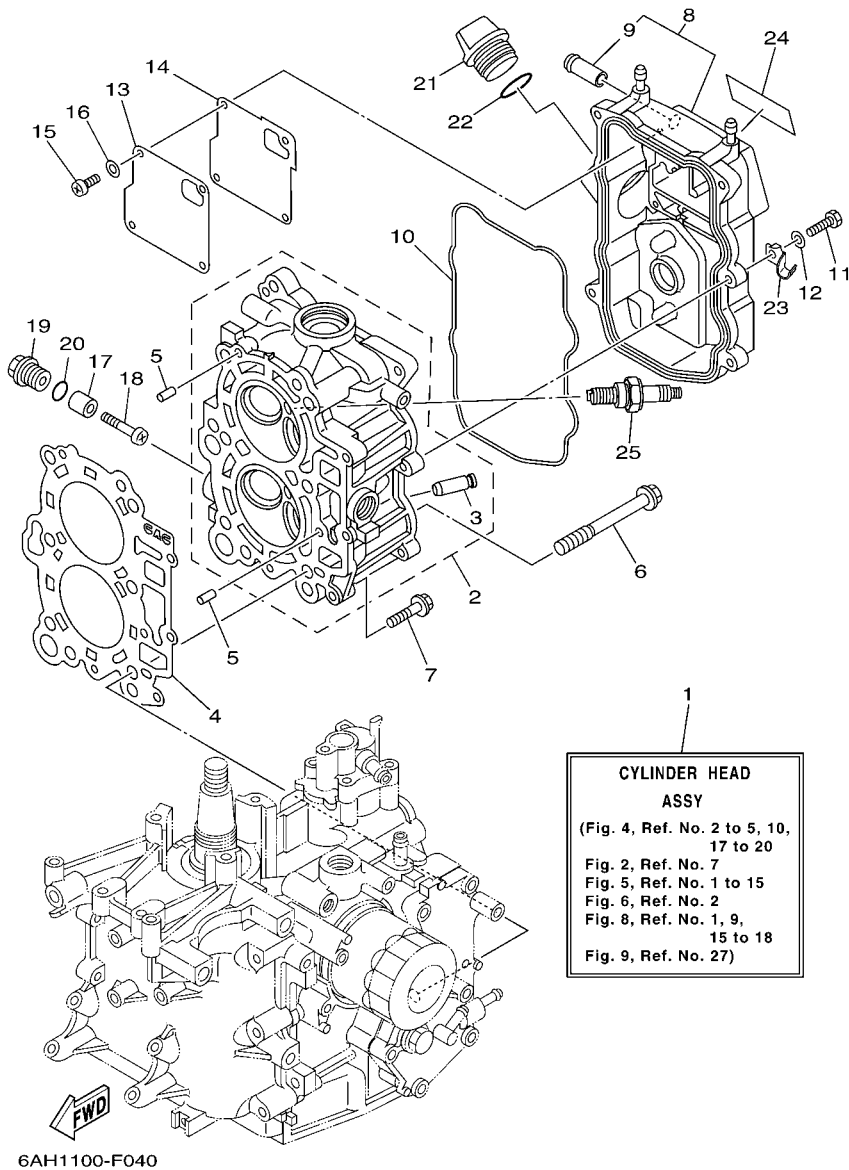
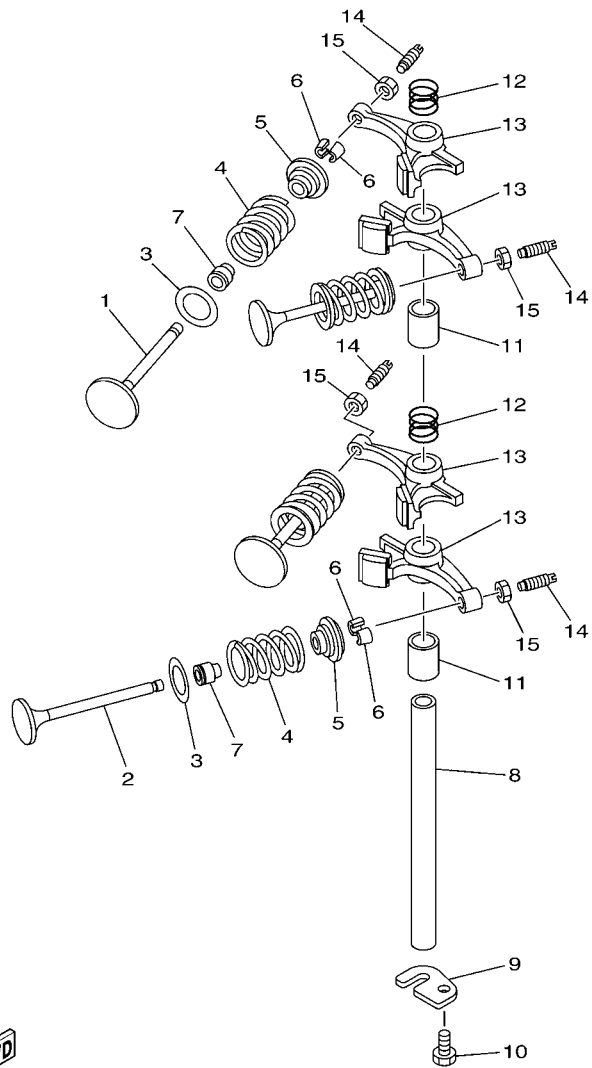


FIG. 4 CYLINDER & CRANKCASE 2

REF. NO.	PART NO.	DESCRIPTION	MH	EH	PH	PR	REMARKS
1	6AH-W009A-00-1S	CYLINDER HEAD ASSY	1	1	1	1	
2	6AH-11111-00-94	HEAD, CYLINDER 1	1	1	1	1	
3	6AH-11133-10	.GUIDE, VALVE 1	4	4	4	4	
4	6AG-11181-00	GASKET, CYLINDER HEAD 1	1	1	1	1	
5	93606-12019	PIN, DOWEL	2	2	2	2	
6	90105-09006	BOLT, FLANGE	6	6	6	6	
7	90119-06MA3	BOLT, WITH WASHER	3	3	3	3	
8	6AH-11191-00-1S	COVER, CYLINDER HEAD 1	1	1	1	1	
9	6AH-11372-00	.NIPPLE, HOSE	1	1	1	1	
10	6AH-11356-00	SEAL, CYLINDER 2	1	1	1	1	
11	97095-06020	BOLT	5	5	5	5	
12	92995-06600	WASHER	5	5	5	5	
13	6AH-11168-00	COVER, BREATHER	1	1	1	1	
14	6AH-11169-00	GASKET, BREATHER COVER	1	1	1	1	
15	98507-04010	SCREW, PAN HEAD	4	4	4	4	
16	92907-04600	WASHER	4	4	4	4	
17	6G8-11325-00	ANODE	2	2	2	2	
18	97880-05025	SCREW, PAN HEAD	2	2	2	2	
19	6G8-11197-01	PLUG, BLIND	2	2	2	2	
20	93210-13M63	O-RING	2	2	2	2	
21	6G8-15363-00	PLUG, OIL	1	1	1	1	
22	93210-24M79	O-RING	1	1	1	1	
23	90465-08059	CLAMP	1	1	1	1	
24	62Y-12138-40	MARK, CAUTION	1	1	1	1	FOR OCE
	62Y-12138-50	MARK, CAUTION	1	1	1	1	FOR CAN
	62Y-12138-60	MARK, CAUTION	1				FOR BRA
25	94702-00418	PLUG, SPARK (NGK DPR6EB)	2	2	2	2	




 6AH1100-F050

FIG. 5 VALVE

REF. NO.	PART NO.	DESCRIPTION	MH	EH	PH	PR	REMARKS
1	6AH-12111-00	VALVE, INTAKE	2	2	2	2	
2	6AH-12121-00	VALVE, EXHAUST	2	2	2	2	
3	62Y-12116-00	SEAT, VALVE SPRING	4	4	4	4	
4	3YF-12113-00	SPRING, VALVE INNER	4	4	4	4	
5	30X-12117-00	RETAINER, VALVE SPRING	4	4	4	4	
6	30X-12118-00	COTTER, VALVE	8	8	8	8	
7	51Y-12119-00	SEAL, VALVE STEM	4	4	4	4	
8	66M-12146-00	SHAFT, ROCKER	1	1	1	1	
9	6AH-12279-00	PLATE	1	1	1	1	
10	97013-06012	BOLT	1	1	1	1	
11	90387-13006	COLLAR	2	2	2	2	
12	90501-120A5	SPRING, COMPRESSION	2	2	2	2	
13	6AH-12151-00	ARM, VALVE ROCKER	4	4	4	4	
14	64J-12159-00	SCREW, VALVE ADJUSTING	4	4	4	4	
15	62Y-12158-00	NUT, LOCK	4	4	4	4	

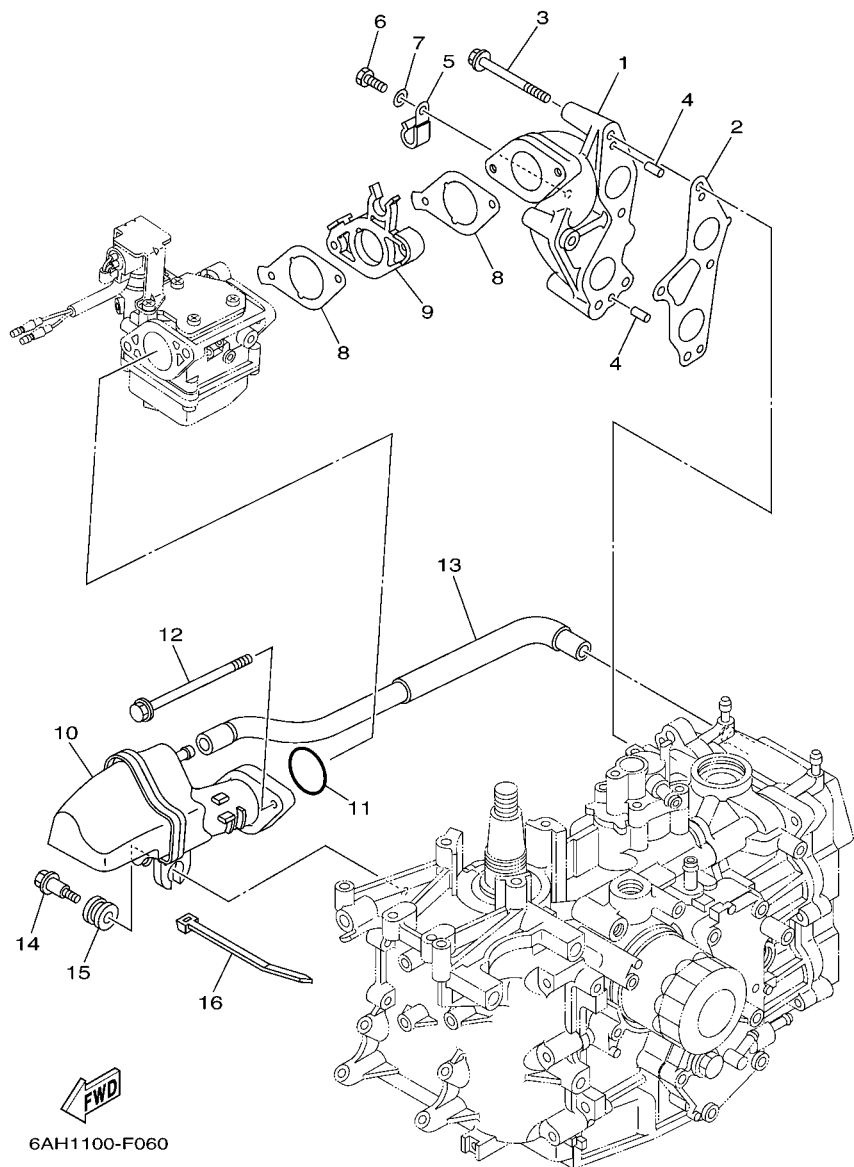


FIG. 6 INTAKE

REF. NO.	PART NO.	DESCRIPTION	MH	EH	PH	PR	REMARKS
1	6AH-13641-00-94	MANIFOLD 1	1	1	1	1	
2	6AH-13645-00	GASKET, MANIFOLD 1	1	1	1	1	
3	97595-06555	BOLT, WITH WASHER	4	4	4	4	
4	91690-50014	PIN, SPRING	2	2	2	2	
5	90465-08M83	CLAMP	2	2	2	2	
6	97095-06012	BOLT	2	2	2	2	
7	92995-06600	WASHER	2	2	2	2	
8	6AH-13646-00	GASKET, MANIFOLD 2	2	2	2	2	
9	6AH-14271-00	INSULATOR	1	1	1	1	
10	6AH-14440-00	SILENCER ASSY, INTAKE	1	1	1	1	
11	93210-35M86	O-RING	1	1	1	1	
12	95895-06100	BOLT, FLANGE	2	2	2	2	
13	6AH-15373-00	PIPE, BREATHER	1	1	1	1	
14	90109-06MA1	BOLT	1	1	1	1	
15	90480-16616	GROMMET	1	1	1	1	
16	90465-13M18	CLAMP	1	1	1	1	

6AH1010-F070

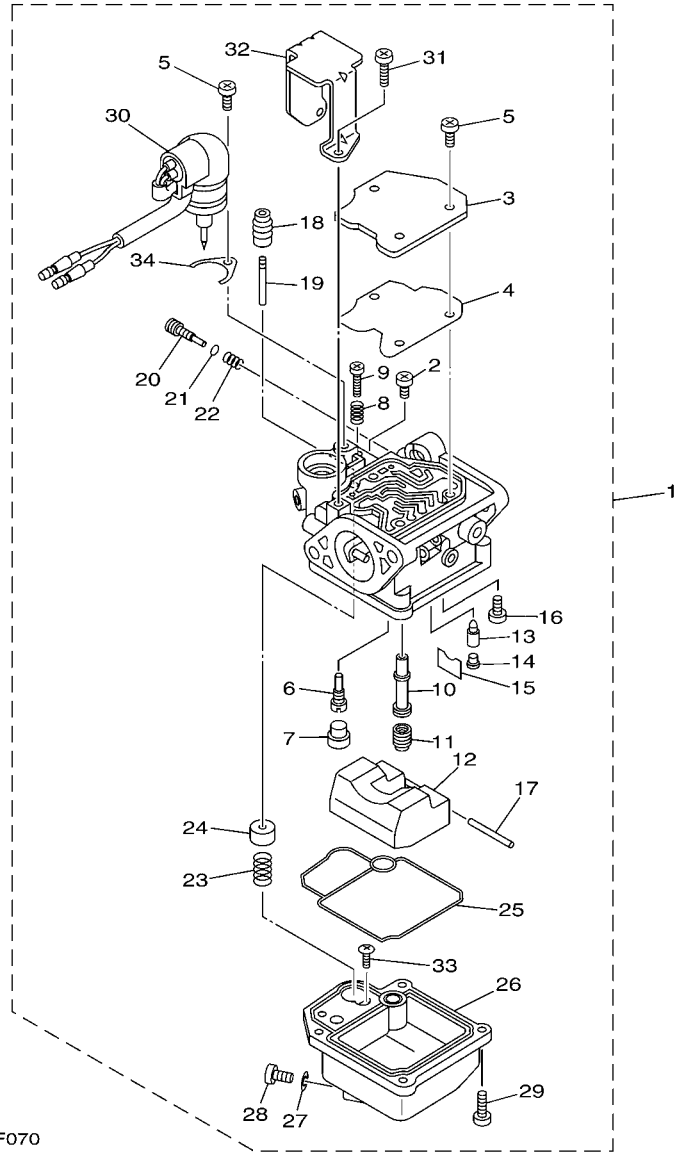
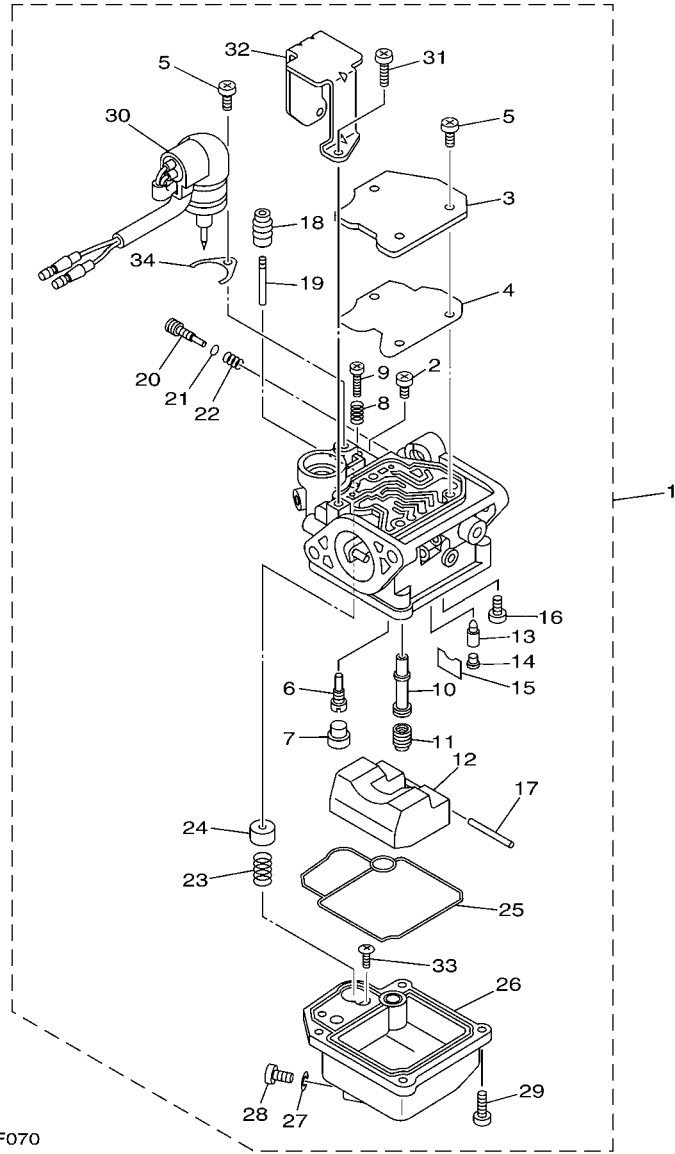


FIG. 7 CARBURETOR

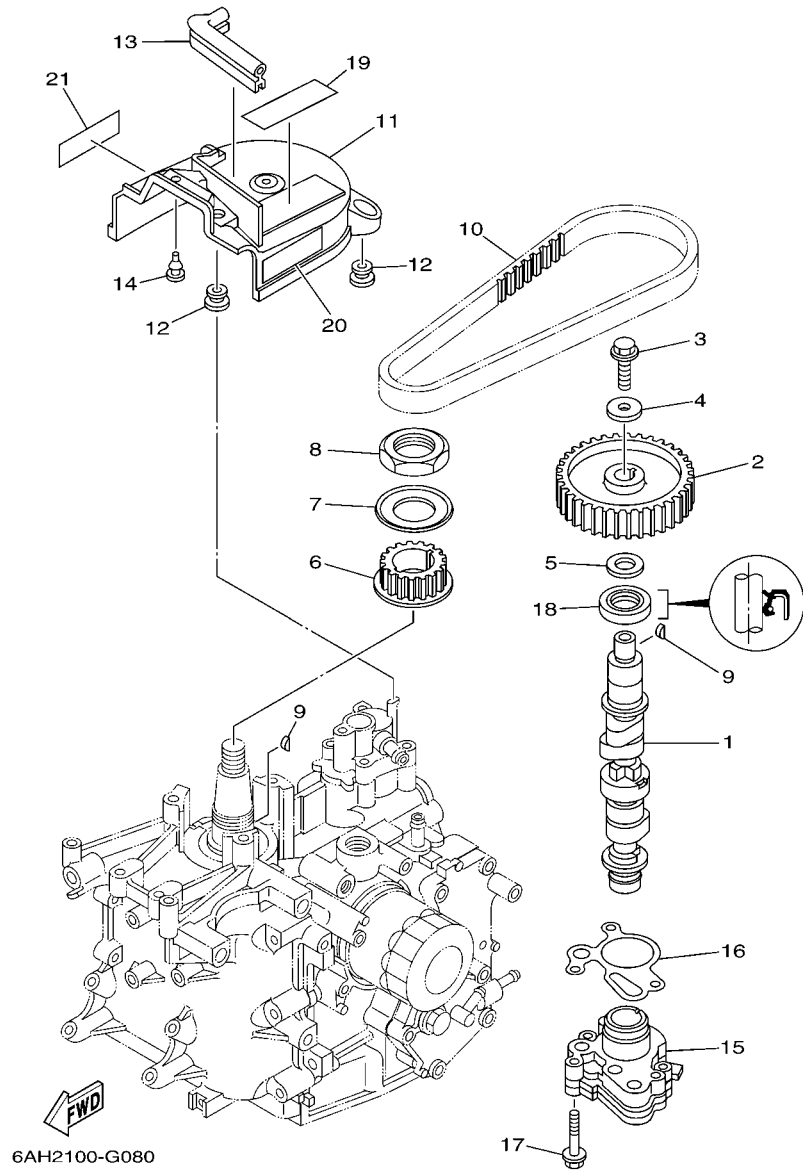
REF. NO.	PART NO.	DESCRIPTION	MH	EH	PH	PR	REMARKS
1	6AH-14301-20	CARBURETOR ASSY 1	1				F20,F20B
	6AG-14301-20	CARBURETOR ASSY 1	1				F15,F15C
	6AH-14301-60	CARBURETOR ASSY 1		1	1	1	F20,F20B
	6AG-14301-60	CARBURETOR ASSY 1		1			F15,F15C
	6AH-14301-70	CARBURETOR ASSY 1	1				F20B-FOR BRA
2	98580-04006	.SCREW, PAN HEAD	1	1	1	1	
3	65W-14572-00	.PLATE	1	1	1	1	
4	65W-14126-10	.GASKET	1	1	1	1	
5	97980-04110	.SCREW, WITH WASHER	4	4	4	4	
6	6AG-14948-05	.JET (#45)	1				FOR 6AH-14301-20
	6AG-14948-02	.JET (#38)	1				FOR 6AG-14301-20
	676-14948-05	.JET (#45)		1	1	1	FOR 6AH-14301-60
	6AH-14948-02	.JET (#38)		1			FOR 6AG-14301-60
	6AH-14948-06	.JET (#48)	1				FOR 6AH-14301-70
7	679-14966-00	.RUBBER CAP	1	1	1	1	
8	90501-10326	.SPRING, COMPRESSION	1	1	1	1	
9	63V-14523-00	.SCREW, STOP	1	1	1	1	
10	6AH-14947-00	.JET, NEEDLE	1	1	1	1	F20,F20B
	6AH-14947-10	.JET, NEEDLE	1	1			F15,F15C
11	63D-14943-81	.JET, MAIN (#118)	1	1	1	1	F20,F20B
	676-14943-19	.JET, MAIN (#80)	1	1			F15,F15C
	676-14943-33	.JET, MAIN (#130)	1				F20B-FOR BRA
12	6AH-14985-00	.FLOAT	1	1	1	1	
13	6G1-14546-01	.VALVE, NEEDLE	1	1	1	1	
	6AH-14546-00	.VALVE, NEEDLE	1				F20B-FOR BRA
14	676-14186-00	.PIN, FLOAT	1	1	1	1	EXCEPT FOR BRA
15	663-14159-00	.CLIP	1	1	1	1	



6AH1010-F070

FIG. 7 CARBURETOR

REF. NO.	PART NO.	DESCRIPTION	MH	EH	PH	PR	REMARKS
16	98580-04008	.SCREW, PAN HEAD	1	1	1	1	
17	6H4-14548-00	.PIN, FLOAT ARM	1	1	1	1	
18	65W-14373-01	.COVER, PLUNGER CAP	1	1	1	1	
19	6AH-14379-00	.ROD, STARTER	1	1	1	1	
20	67C-14923-00	.SCREW, PILOT	1	1	1	1	
21	67C-14397-00	.O-RING	1	1	1	1	
22	67C-14555-00	.SPRING	1	1	1	1	
23	6AH-14335-00	.SPRING, PLUNGER	1	1	1	1	F20,F20B
	65W-14335-00	.SPRING, PLUNGER	1	1			F15,F15C
24	6AH-14371-00	.PLUNGER, STARTER	1	1	1	1	
25	6AH-14384-00	.GASKET, FLOAT CHAMBER	1	1	1	1	
26	6AH-14980-00	.BODY, FLOAT CHAMBER	1	1	1	1	
27	65W-14398-00	.GASKET	1	1	1	1	
28	65W-14992-00	.SCREW, DRAIN	1	1	1	1	
29	97980-04114	.SCREW, WITH WASHER	4	4	4	4	
30	6AH-14380-00	.PRIME STARTER ASSY	1				EXCEPT FOR BRA
	6AH-14380-10	.PRIME STARTER ASSY	1	1	1	1	MH-FOR BRA
31	97980-04108	.SCREW, WITH WASHER	2	2	2	2	
32	6AH-14346-00	.PLATE	1	1	1	1	
33	67C-14567-00	.SCREW	1	1	1	1	
34	65W-14346-00	.PLATE	1	1	1	1	



6AH2100-G080

FIG. 8 OIL PUMP

REF. NO.	PART NO.	DESCRIPTION	MH	EH	PH	PR	REMARKS
1	6AH-12170-00	CAMSHAFT ASSY 1	1	1	1	1	
2	6AH-11537-00-94	GEAR, DRIVEN	1	1	1	1	
3	90105-081A7	BOLT, FLANGE	1	1	1	1	
4	90201-08784	WASHER, PLATE	1	1	1	1	
5	90201-15423	WASHER, PLATE	1	1	1	1	
6	6AH-11536-00	GEAR, DRIVE	1	1	1	1	
7	6AH-11557-00	WASHER 1	1	1	1	1	
8	90170-30003	NUT	1	1	1	1	
9	90280-03M01	KEY, WOODRUFF	2	2	2	2	
10	6AH-46241-00	V-BELT	1	1	1	1	
11	6AH-46297-00	COVER, DUST	1	1	1	1	
12	90480-10627	GROMMET	3	3	3	3	
13	6AH-42617-00	DAMPER, FORM	1	1	1	1	
14	90480-06M19	GROMMET	1	1	1	1	
15	6AH-13300-00	OIL PUMP ASSY	1	1	1	1	
16	6AH-13329-00	GASKET, PUMP COVER	1	1	1	1	
17	90105-06035	BOLT, FLANGE	3	3	3	3	
18	93102-22009	OIL SEAL	1	1	1	1	
19	6AH-13437-40	MARK, CAUTION	1	1	1	1	FOR OCE
	6AH-13437-50	MARK, CAUTION	1	1	1	1	FOR CAN
20	6AH-81994-40	LABEL, SAFETY	1	1	1	1	
21	6AH-81994-50	LABEL, SAFETY	1	1	1	1	FOR CAN,BRA

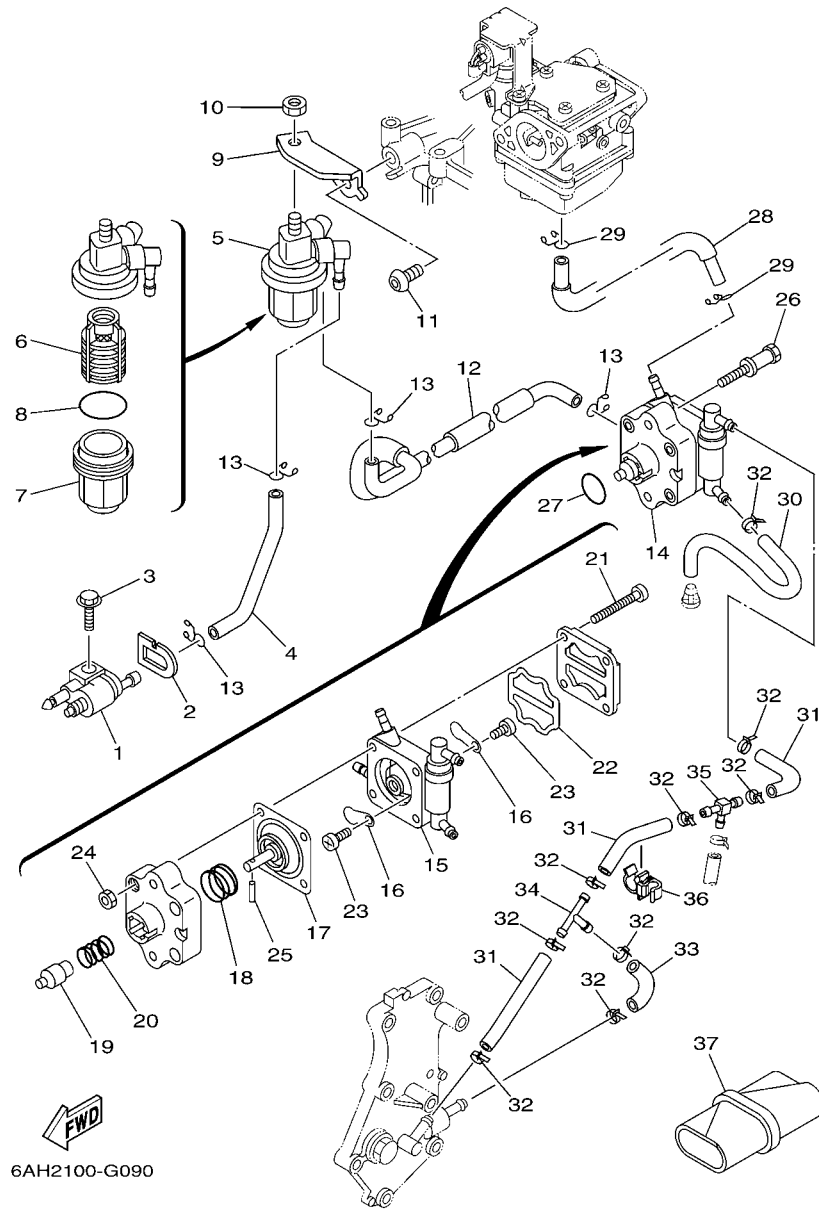
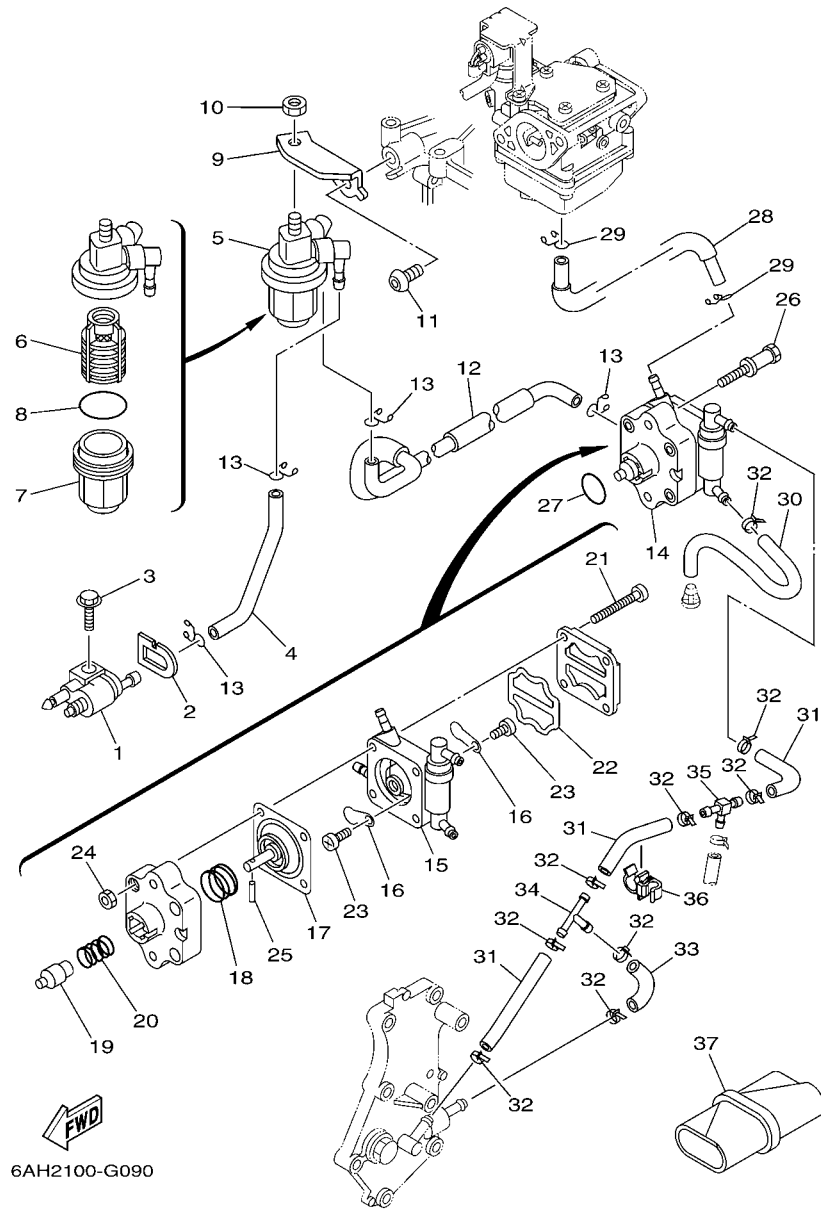


FIG. 9 FUEL

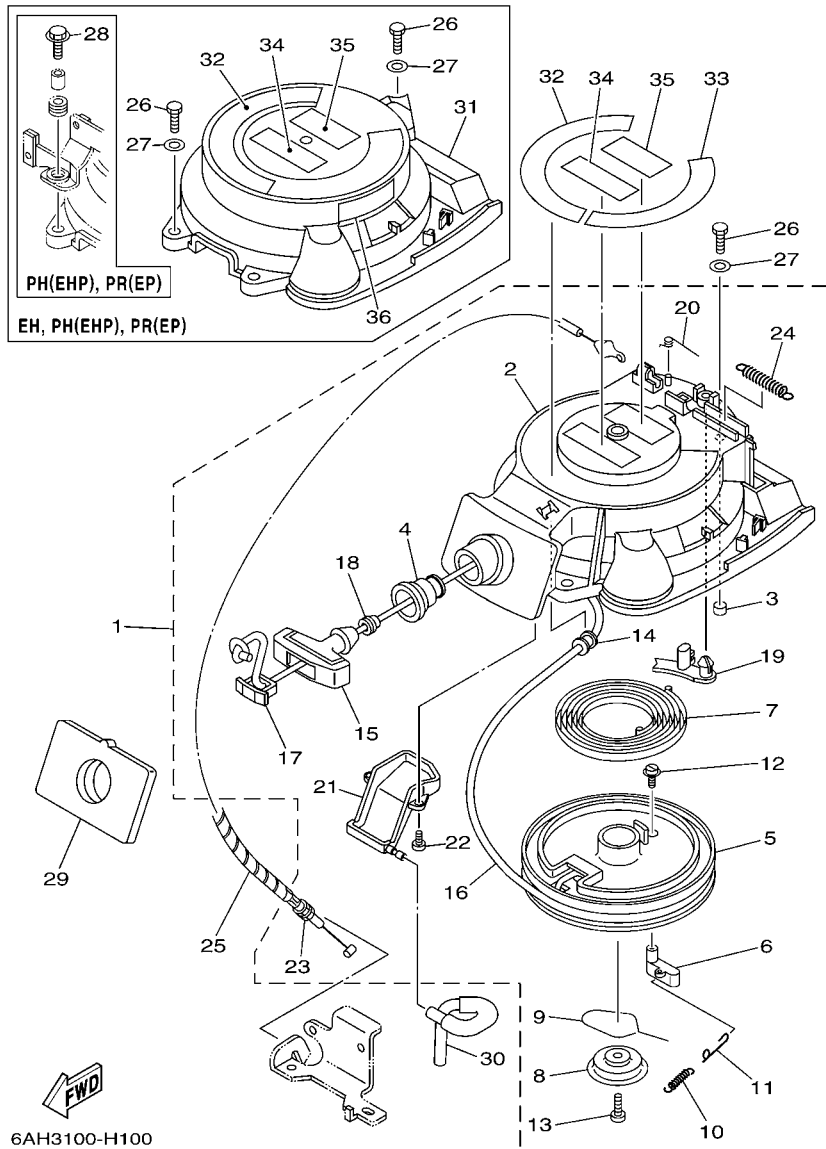
REF. NO.	PART NO.	DESCRIPTION	MH	EH	PH	PR	REMARKS
1	6G1-24304-02	FUEL PIPE JOINT COMP. 1	1	1	1	1	
2	61N-24329-00	SEAL	1	1	1	1	
3	95895-06020	BOLT, FLANGE	1	1	1	1	
4	6AH-24311-00	PIPE, FUEL 1	1	1	1	1	
5	61N-24560-00	FILTER ASSY	1	1	1	1	
6	61N-24563-00	.ELEMENT, FILTER	1	1	1	1	
7	61N-24521-00	.CUP, FILTER	1	1	1	1	
8	93210-32738	.O-RING	1	1	1	1	
9	6AH-24566-00	BRACKET, FILTER	1	1	1	1	
10	95380-08600	NUT	1	1	1	1	
11	90111-08055	BOLT,HEX. SOCKET BUTTON	1	1	1	1	
12	6AH-24312-00	PIPE 2	1	1	1	1	
13	90467-09M17	CLIP	4	4	4	4	
14	6AH-24410-00	FUEL PUMP ASSY	1	1	1	1	
15	6AH-24413-00	.BODY 2	1	1	1	1	
16	6A0-24421-01	.VALVE, CHECK	2	2	2	2	
17	66M-24411-11	.DIAPHRAGM	1	1	1	1	
18	66M-24423-00	.SPRING, DIAPHRAGM	1	1	1	1	
19	66M-13131-10	.PLUNGER	1	1	1	1	
20	66M-24454-00	.SPRING	1	1	1	1	
21	66M-24444-00	.SCREW	4	4	4	4	
22	66M-24471-01	.DIAPHRAGM	1	1	1	1	
23	6E7-14325-00	.SCREW, PAN HEAD	2	2	2	2	
24	95380-04600	.NUT	4	4	4	4	
25	66M-24374-00	.PIN	1	1	1	1	
26	90109-06215	BOLT	2	2	2	2	
27	93210-20M65	O-RING	1	1	1	1	



6AH2100-G090

FIG. 9 FUEL

REF. NO.	PART NO.	DESCRIPTION	MH	EH	PH	PR	REMARKS
28	6AH-24313-00	PIPE 3	1	1	1	1	
29	90467-09M17	CLIP	2	2	2	2	
30	6AH-24315-00	PIPE 5	1	1	1	1	
31	90445-09026	HOSE	3	3	3	3	
32	90465-11M10	CLAMP	9	9	9	9	
33	6AH-24317-00	PIPE 7	1	1	1	1	
34	688-24378-00	PIPE, JOINT 3	1	1	1	1	
35	6C5-24378-00	PIPE, JOINT 3	1	1	1	1	
36	90464-09018	CLAMP	1	1	1	1	
37	62Y-28100-00	TOOL KIT	1	1	1	1	AP

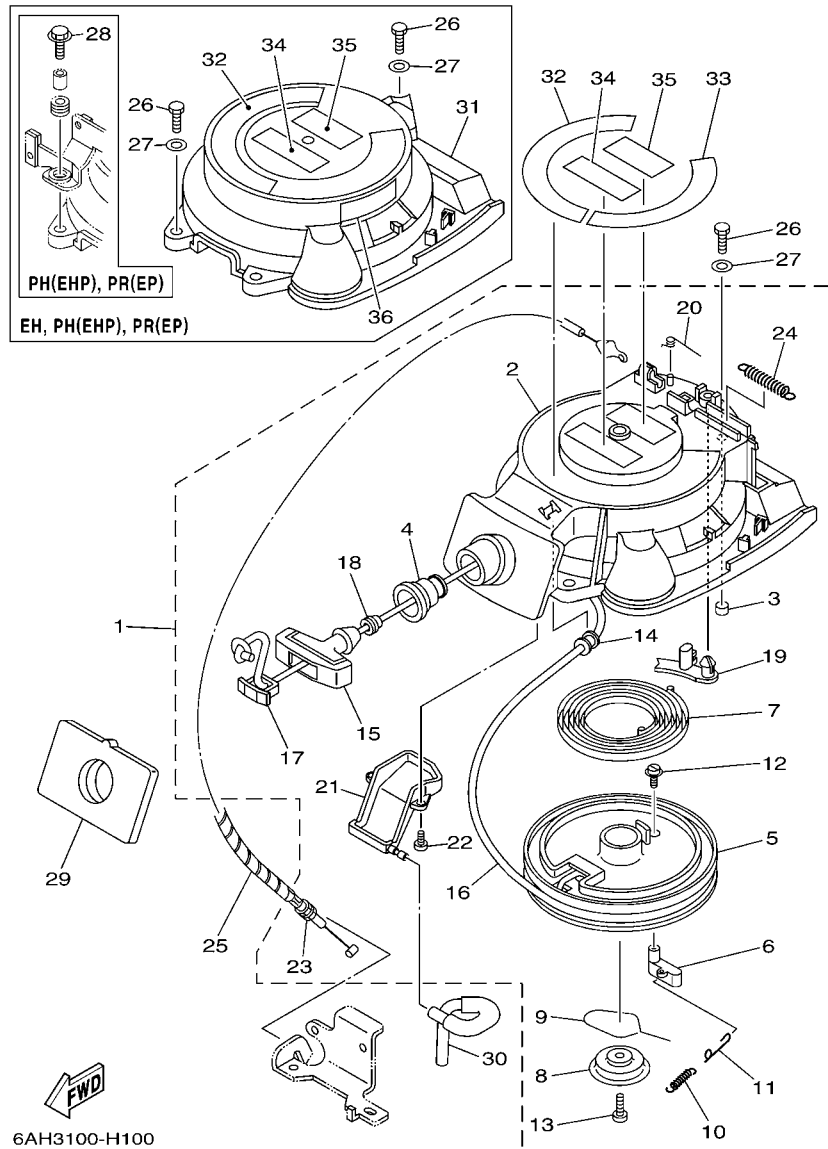


6AH3100-H100

*1: CUT FROM 50M ROLLS, PART NO. 90890-44373, CUTTING LENGTH 1.8M

FIG. 10 STARTER

REF. NO.	PART NO.	DESCRIPTION	MH	EH	PH	PR	REMARKS
1	6AH-15710-01	STARTER ASSY	1				
2	6AH-15711-00	.CASE, STARTER	1				
3	67D-15764-00	.COLLAR 1	3				
4	6AH-15795-00	.GUIDE, ROPE	1				
5	63V-15714-00	.DRUM, SHEAVE	1				
6	63V-15741-10	.PAWL, DRIVE	1				
7	63V-15713-00	.SPRING, STARTER	1				
8	68T-15716-00	.PLATE, DRIVE	1				
9	63V-15705-01	.SPRING, DRIVE PAWL	1				
10	63V-15767-01	.SPRING	1				
11	68T-15784-00	.SPRING, RETURN	1				
12	6AJ-15793-00	.SCREW	1				
13	68T-15793-00	.SCREW	1				
14	68T-15764-00	.COLLAR 1	1				
15	689-15755-01	.HANDLE, STARTER	1				
16	*	.WIRE, STARTER (L:1800MM)	1				*1
17	6F5-15779-02	.COVER	1				
18	6A0-15789-00	.DAMPER	1				
19	66T-15794-00	.STOPPER	1				
20	66T-15734-00	.SPRING, RETURN	1				
21	6AH-15782-00	.COVER, SHEAVE	1				
22	6AH-15793-00	.SCREW	2				
23	6AH-15770-00	.CABLE COMP., STARTER STOP	1				
24	66T-15731-00	.SPRING, RETURN	1				
25	90446-06M90	HOSE (L120)	1				
26	97095-06020	BOLT	3	3			
	97095-06020	BOLT			1	1	

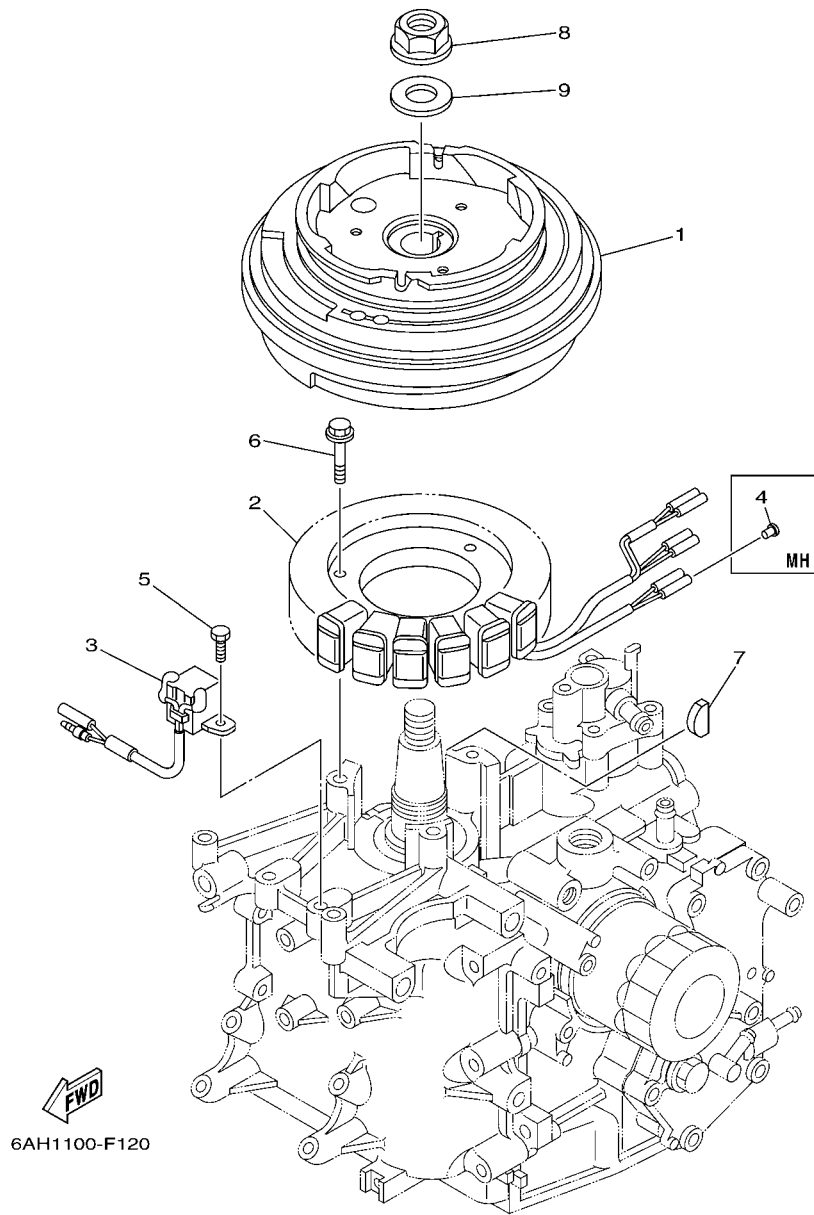


*1: CUT FROM 50M ROLLS, PART NO. 90890-44373, CUTTING LENGTH 1.8M

FIG. 10 STARTER

REF. NO.	PART NO.	DESCRIPTION	MH	EH	PH	PR	REMARKS
27	92995-06600	WASHER	3	3			
	92995-06600	WASHER			1	1	
28	90119-06169	BOLT, WITH WASHER			2	2	
29	6AH-15762-00	SEAL, RUBBER 2	1				
30	6AH-24316-00	PIPE 6	1				
31	6AH-81337-00	COVER, FLYWHEEL		1	1	1	
32	6AH-14427-40	LABEL, INSTRUCTION	1	1	1	1	FOR OCE
	6AH-14427-50	LABEL, INSTRUCTION	1	1	1	1	FOR CAN
	6AH-14427-60	LABEL, INSTRUCTION	1				FOR BRA
33	6AH-13437-60	MARK, CAUTION	1				FOR BRA
34	6AH-81995-40	LABEL, WARNING	1	1	1	1	
35	6AH-81995-50	LABEL, WARNING	1	1	1	1	FOR CAN, BRA
36	6AG-81996-00	MARK				1	

FIG. 11 GENERATOR



REF. NO.	PART NO.	DESCRIPTION	MH	EH	PH	PR	REMARKS
1	6AH-85550-00	ROTOR ASSY	1				
	6AH-85550-10	ROTOR ASSY		1	1	1	
2	6AH-85510-00	STATOR ASSY	1	1	1	1	
3	6AH-85580-00	COIL, PULSER	1	1	1	1	
4	703-82119-00	COVER, LEAD WIRE	2				
<hr/>							
5	97095-05012	BOLT	2	2	2	2	
6	95895-06030	BOLT, FLANGE	3	3	3	3	
7	90280-05013	KEY, WOODRUFF	1	1	1	1	
8	90179-16M05	NUT	1	1	1	1	
9	90201-16M44	WASHER, PLATE	1	1	1	1	
<hr/>							
<hr/>							
<hr/>							
<hr/>							
<hr/>							

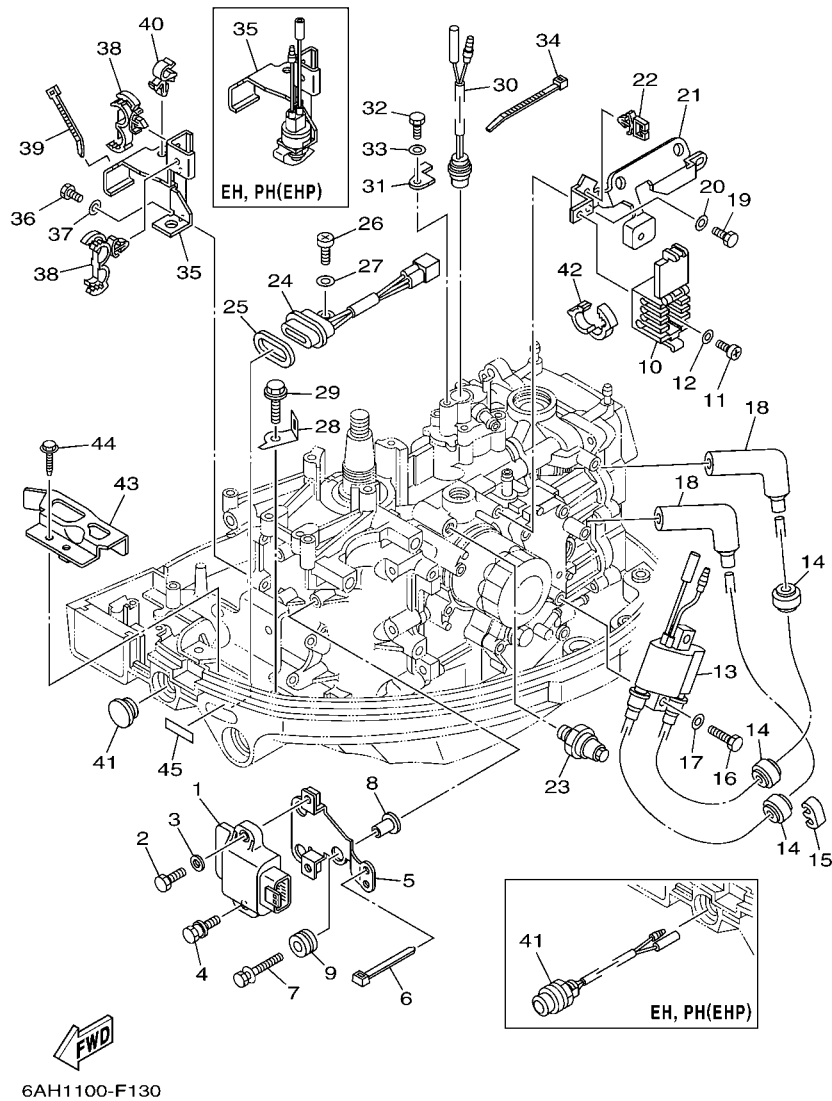
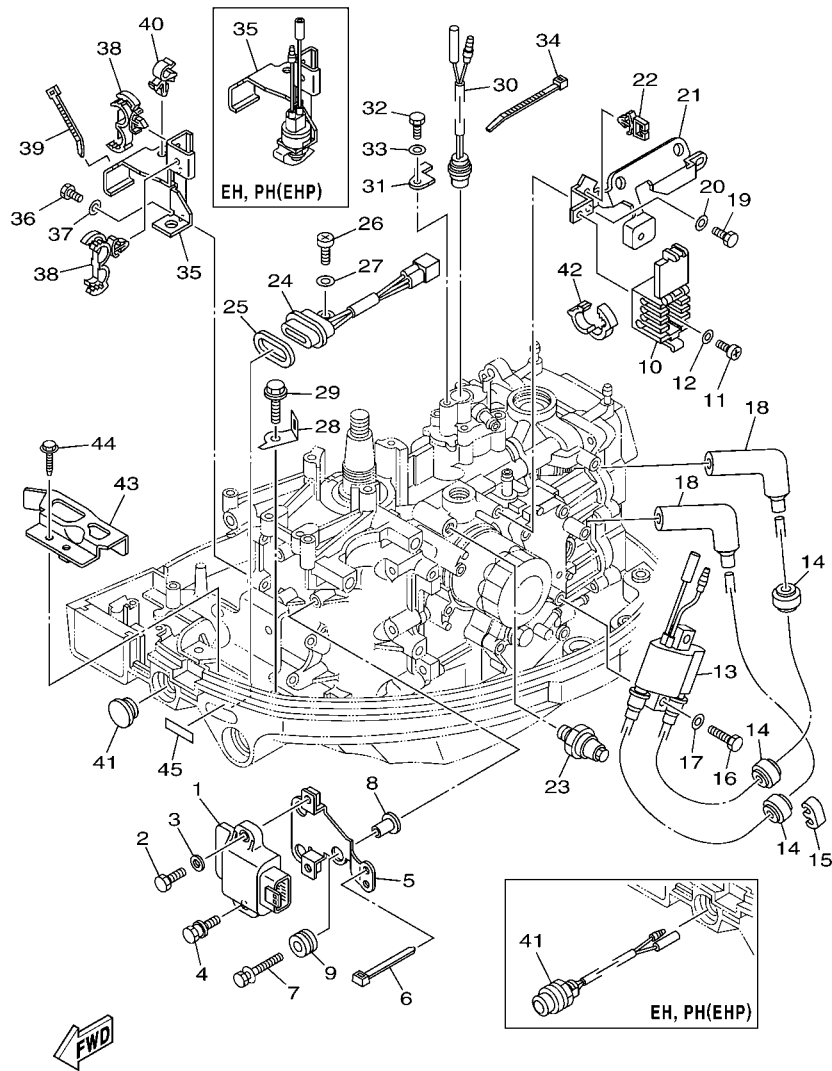


FIG. 12 ELECTRICAL 1

REF. NO.	PART NO.	DESCRIPTION	MH	EH	PH	PR	REMARKS
1	6AH-85540-00	C.D.I. UNIT ASSY	1	1	1	1	
2	97095-06020	BOLT	1	1	1	1	
3	92995-06600	WASHER	1	1	1	1	
4	90109-06221	BOLT	1	1	1	1	
5	6AH-81948-00	BRACKET	1	1	1	1	
6	90465-13M18	CLAMP	1	1	1	1	
7	90119-06M35	BOLT, WITH WASHER	3	3	3	3	
8	90387-06M60	COLLAR	3	3	3	3	
9	90480-10M23	GROMMET	3	3	3	3	
10	6AH-82522-00	CLAMP, COUPLER	1	1	1	1	
11	97880-06010	SCREW, PAN HEAD	1	1	1	1	
12	90201-06M05	WASHER, PLATE	1	1	1	1	
13	6F5-85570-12	IGNITION COIL ASSY	1	1	1	1	
14	90480-25003	GROMMET	3	3	3	3	
15	67F-82361-00	CLAMP, CORD	1	1	1	1	
16	97095-06025	BOLT	2	2	2	2	
17	92995-06600	WASHER	2	2	2	2	
18	6AH-82370-00	PLUG CAP ASSY	2	2	2	2	
19	97095-06014	BOLT	2	2	2	2	
20	92995-06600	WASHER	2	2	2	2	
21	6AH-85542-00	BRACKET	1	1	1	1	
22	90464-07M56	CLAMP	2	2	2	2	
23	64J-82504-00	OIL PRESSURE SWITCH ASSY	1	1	1	1	
24	62Y-84301-00	PILOT LIGHT ASSY 1	1	1	1	1	
25	6H4-83589-00	GASKET	1	1	1	1	
26	97885-06012	SCREW, PAN HEAD	1	1	1	1	
27	92995-06600	WASHER	1	1	1	1	



6AH1100-F130

FIG. 12 ELECTRICAL 1

REF. NO.	PART NO.	DESCRIPTION	MH	EH	PH	PR	REMARKS
28	6AH-82388-00	PLATE	1	1			
29	90109-06M86	BOLT	1	1			
30	6AH-82560-00	THERMO SWITCH ASSY	1	1	1	1	
31	6AH-82588-00	PLATE	1	1	1	1	
32	97095-06014	BOLT	1	1	1	1	
33	92995-06600	WASHER	1	1	1	1	
34	90465-11M10	CLAMP	1	1	1	1	
35	6AH-82554-00	STAY, NEUTRAL SWITCH	1			1	
	6AH-82540-01	NEUTRAL SWITCH ASSY		1	1		
36	97095-06016	BOLT	2	2	2	2	
37	92995-06600	WASHER	2	2	2	2	
38	90464-18246	CLAMP	2	2	2	2	
39	90465-13M18	CLAMP	1	1	1	1	
40	90464-10M32	CLAMP	1	1	1	1	
41	6G1-42725-00	GROMMET	1			1	
	68T-81870-00	STARTING SWITCH ASSY		1	1		
42	90464-16003	CLAMP	1	1	1		
	90464-16001	CLAMP				1	
43	6AH-82389-00	PLATE 2	1	1	1	1	
44	90109-06M86	BOLT	1	1	1	1	
45	67C-85415-00	MARK, SIGNAL LAMP	1	1	1	1	

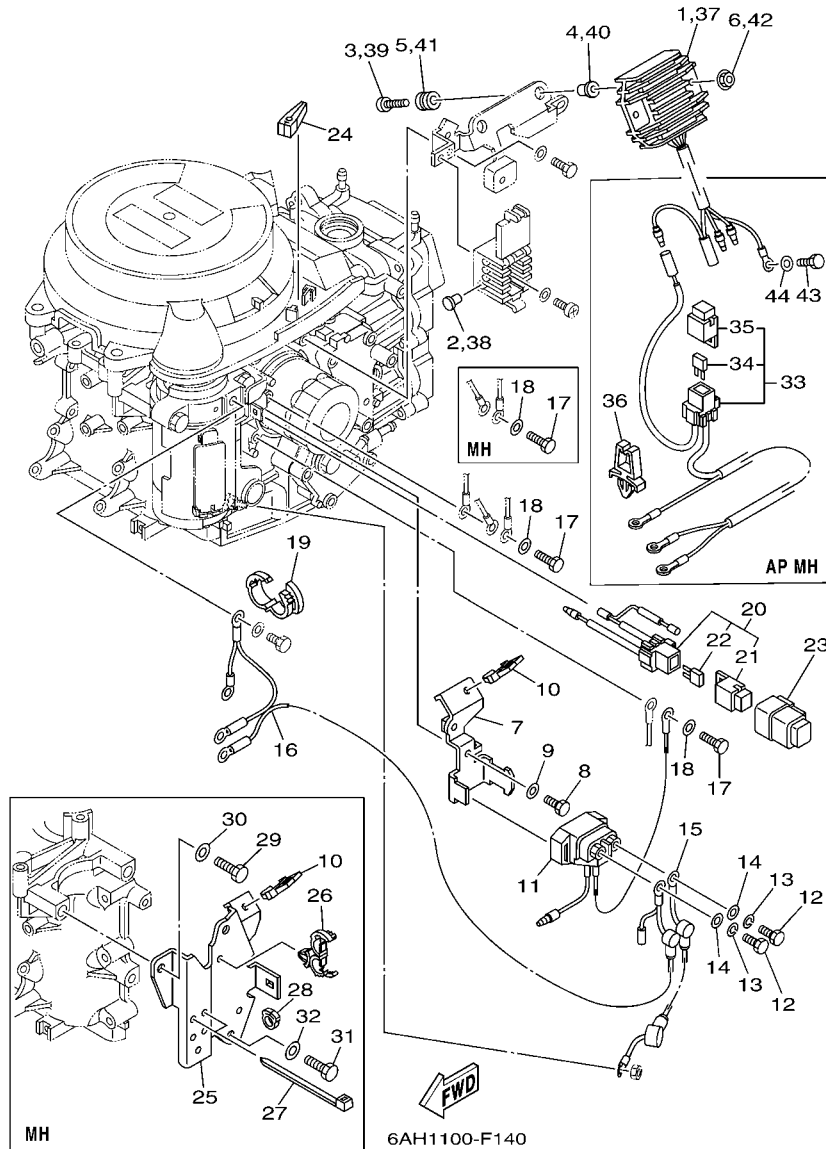


FIG. 13 ELECTRICAL 2

REF. NO.	PART NO.	DESCRIPTION	MH	EH	PH	PR	REMARKS
1	6AH-81960-00	RECTIFIER & REGULATOR ASSY		1	1	1	
2	703-82119-00	COVER, LEAD WIRE		1	1	1	
3	98980-06030	SCREW, BIND		2	2	2	
4	90387-06M70	COLLAR		2	2	2	
5	90480-13M24	GROMMET		2	2	2	
6	95780-06500	NUT, FLANGE		2	2	2	
7	6AH-81945-00	PLATE, SWITCH FITTING		1	1	1	
8	97095-06014	BOLT		1	1	1	
9	92995-06600	WASHER		1	1	1	
10	90464-08004	CLAMP	1	1	1	1	
11	68T-81940-00	STARTER RELAY ASSY		1	1	1	
12	97095-06010	BOLT		2	2	2	
13	92995-06100	WASHER, SPRING		2	2	2	
14	92995-06600	WASHER		2	2	2	
15	6AH-82117-00	WIRE, LEAD		1	1	1	
16	6AH-82105-00	WIRE HARNESS		1	1	1	
17	97095-06014	BOLT	1				
	97095-06014	BOLT		2	2	2	
18	92995-06600	WASHER	1				
	92995-06600	WASHER		2	2	2	
19	90464-16001	CLAMP		1	1	1	
20	6AH-82150-00	FUSE HOLDER ASSY		1	1	1	
21	67F-8215B-10	.CAP (YELLOW)		1	1	1	
22	67F-82151-00	.FUSE (20A)		2	2	2	
23	6AH-82157-00	DAMPER		1	1	1	
24	67F-2812A-00	PULLER, FUSE		1	1	1	
25	6AH-82398-00	PLATE 3	1				

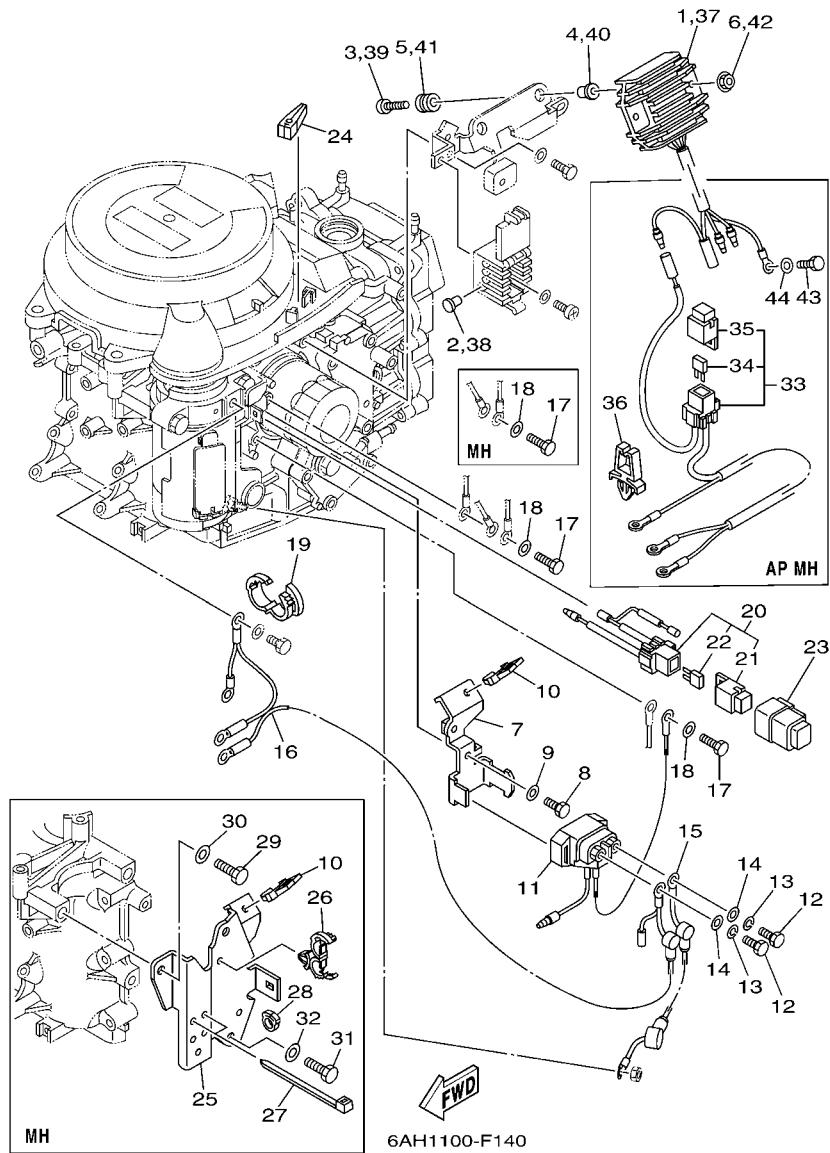
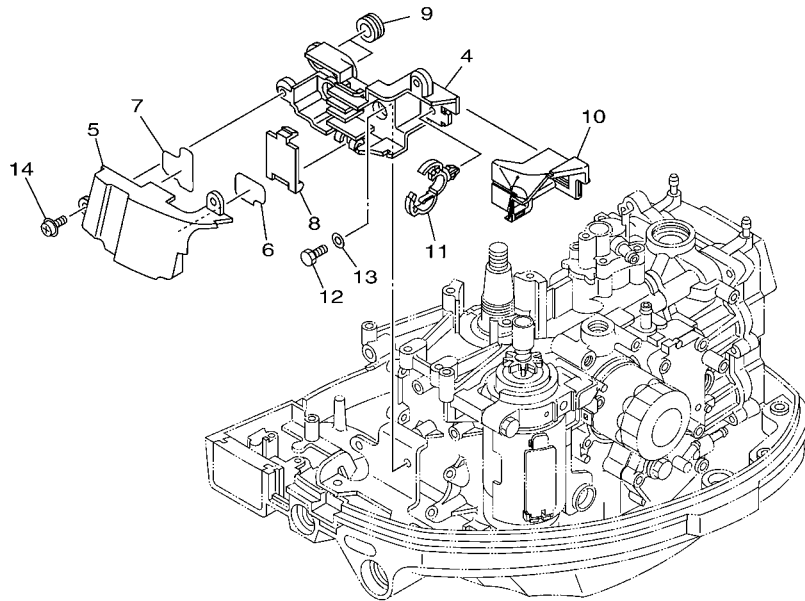
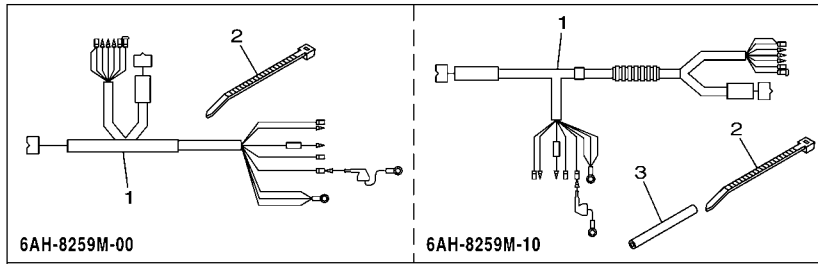


FIG. 13 ELECTRICAL 2

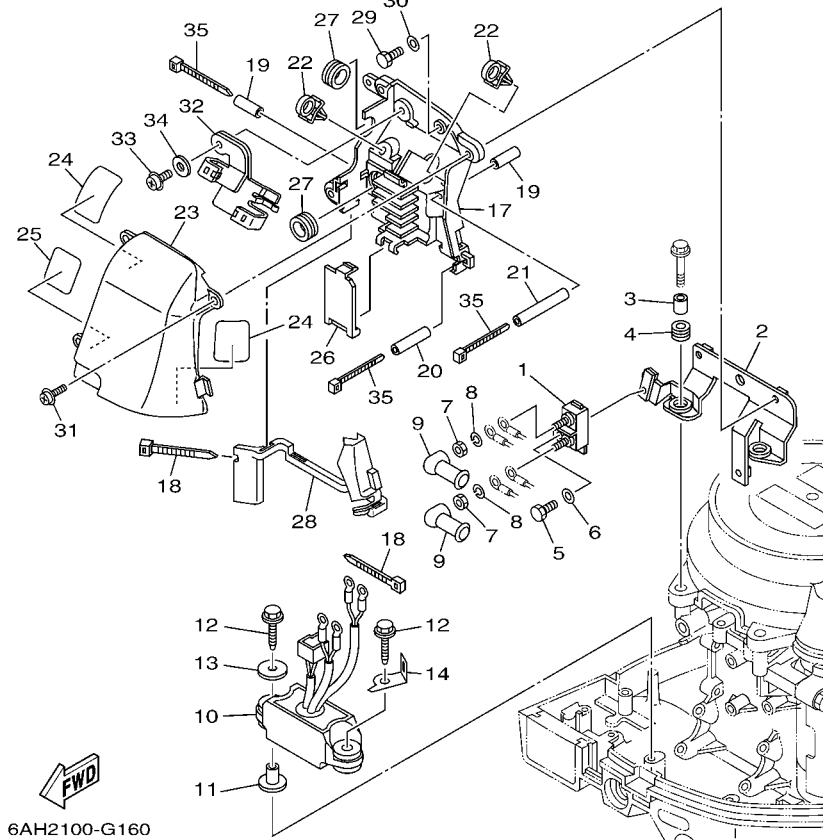
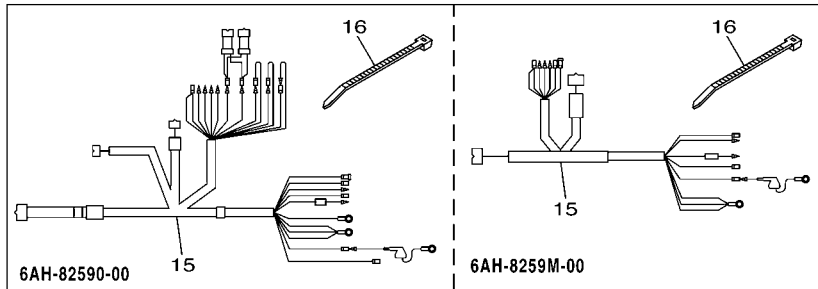
REF. NO.	PART NO.	DESCRIPTION	MH	EH	PH	PR	REMARKS
26	90464-18246	CLAMP	1				
27	90465-13M18	CLAMP	3				
28	90464-09010	CLAMP	1				
29	97095-08025	BOLT	2				
30	92995-08600	WASHER	2				
31	97095-08016	BOLT	1				
32	92995-08600	WASHER	1				
33	6AH-81949-00	WIRE, LEAD	1				AP
34	67F-82151-00	.FUSE (20A)	2				
35	67F-8215B-00	.CAP (BLACK)	1				
36	90464-06001	CLAMP	1				AP
37	6AH-81960-00	RECTIFIER & REGULATOR ASSY	1				AP
38	703-82119-00	COVER, LEAD WIRE	1				AP
39	98980-06030	SCREW, BIND	2				AP
40	90387-06M70	COLLAR	2				AP
41	90480-13M24	GROMMET	2				AP
42	95780-06500	NUT, FLANGE	2				AP
43	97095-06014	BOLT	1				AP
44	92995-06600	WASHER	1				AP



FWD
6AG3110-H150

FIG. 14 ELECTRICAL 3

REF. NO.	PART NO.	DESCRIPTION	MH	EH	PH	PR	REMARKS
1	6AH-8259M-10	WIRE HARNESS ASSY 2	1				
	6AH-8259M-00	WIRE HARNESS ASSY 2		1			
2	90465-13M18	CLAMP	1	1			
3	90445-08029	HOSE	1				
4	6AH-8552A-00	HOUSING	1	1			
5	6AH-8552E-00	COVER, CASE	1	1			
6	6AH-42735-30	PROTECTOR	1	1			
7	6AH-42735-40	PROTECTOR	1	1			
8	6AH-85537-00	COVER	1	1			
9	90480-19368	GROMMET	2	2			
10	6AH-85547-00	DAMPER	1	1			
11	90464-20181	CLAMP	1	1			
12	97095-06014	BOLT	2	2			
13	92995-06600	WASHER	2	2			
14	97985-06214	SCREW, WITH WASHER	2	2			



6AH2100-G160

FIG. 15 ELECTRICAL 4

REF. NO.	PART NO.	DESCRIPTION	MH	EH	PH	PR	REMARKS
1	6H5-81925-00	TERMINAL			1	1	
2	6AH-81929-01	BRACKET, TERMINAL			1	1	
3	90387-06182	COLLAR			2	2	
4	6AH-82317-00	DAMPER, IGNITION COIL			2	2	
5	97095-06014	BOLT			1	1	
6	92995-06600	WASHER			1	1	
7	90170-06M30	NUT			2	2	
8	90204-06M00	WASHER, SPRING			2	2	
9	6G5-82119-00	COVER, LEAD WIRE			2	2	
10	6AH-81950-00	RELAY ASSY			1	1	
11	90387-06M03	COLLAR			2	2	
12	90109-06MA2	BOLT			2	2	
13	90201-06416	WASHER, PLATE			1	1	
14	6AH-82388-00	PLATE			1	1	
15	6AH-8259M-00	WIRE HARNESS ASSY 2			1		
	6AH-82590-00	WIRE HARNESS ASSY				1	
16	90465-13M18	CLAMP			1	1	
17	6AH-8552A-10	HOUSING			1	1	
18	90465-13M18	CLAMP			2	2	
19	90445-07025	HOSE			2	2	
20	90445-07026	HOSE			1	1	
21	90445-07027	HOSE			1	1	
22	90464-12001	CLAMP			2	2	
23	6AH-8552E-10	COVER, CASE			1	1	
24	6AH-42735-10	PROTECTOR			2	2	
25	6AH-42735-20	PROTECTOR			1	1	
26	6AH-85537-10	COVER			1	1	

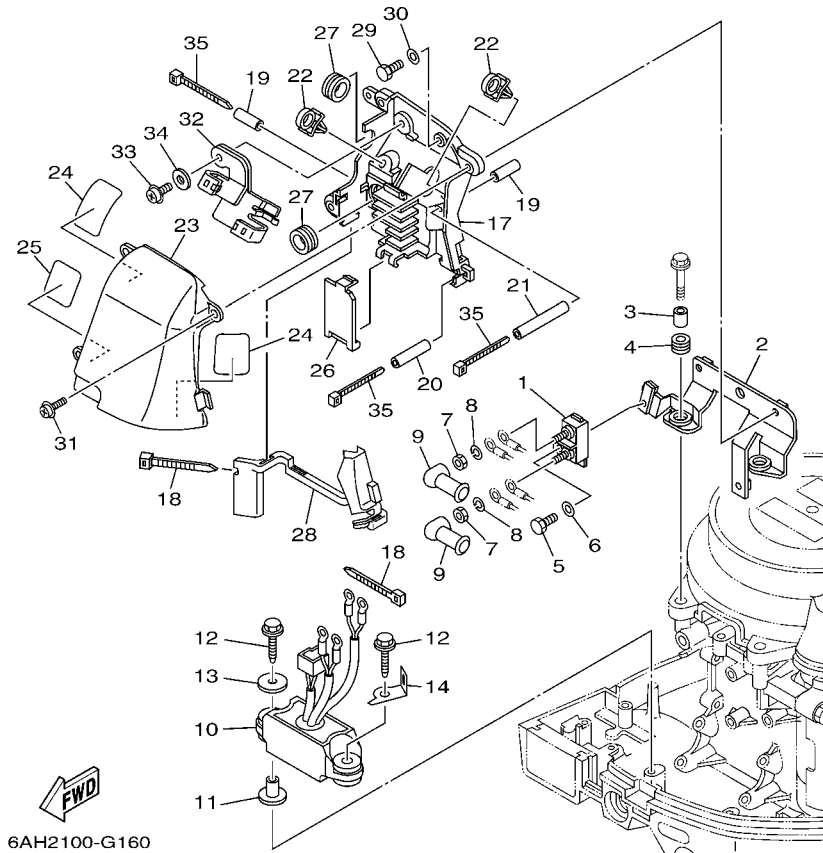
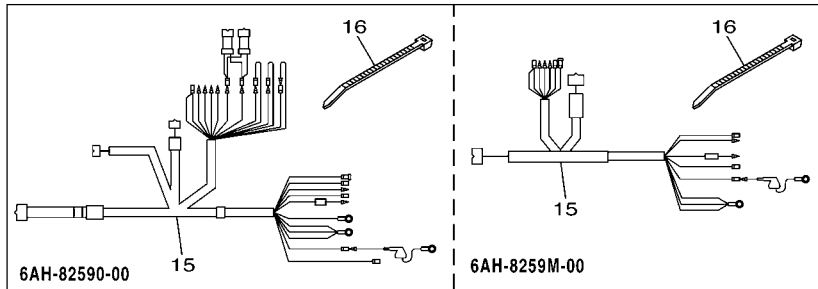
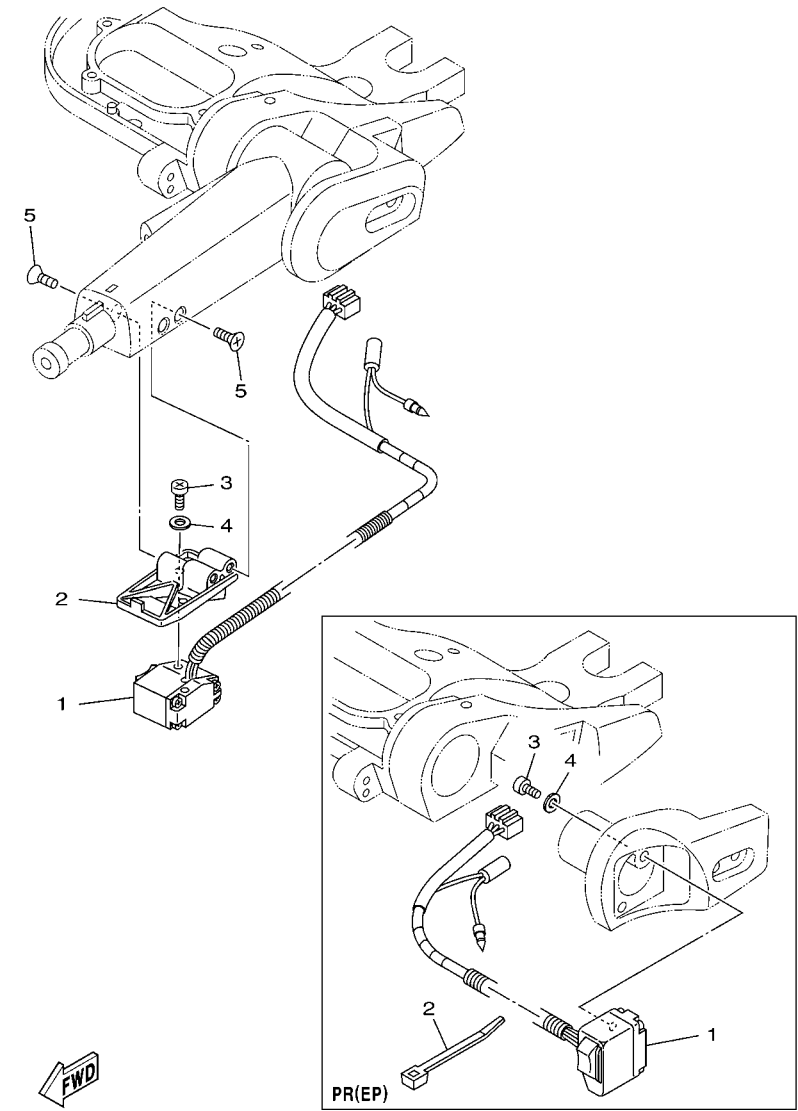


FIG. 15 ELECTRICAL 4

REF. NO.	PART NO.	DESCRIPTION	MH	EH	PH	PR	REMARKS	
27	90480-19368	GROMMET				2	2	
28	6AH-85547-10	DAMPER				1	1	
29	97095-06014	BOLT				3	3	
30	92995-06600	WASHER				3	3	
31	97985-06214	SCREW, WITH WASHER				3	3	
32	6AH-85525-10	COVER				1	1	
33	97985-06214	SCREW, WITH WASHER				1	1	
34	90201-06068	WASHER, PLATE				1	1	
35	90464-76001	CLAMP				3	3	



6AH1100-F170

FIG. 16 ELECTRICAL 5

REF. NO.	PART NO.	DESCRIPTION	MH	EH	PH	PR	REMARKS	
1	6AH-82563-00	TRIM & TILT SWITCH ASSY				1	1	
2	69A-42176-00	STAY 2				1		
	90465-11M10	CLAMP					2	
3	97885-06020	SCREW, PAN HEAD				2	2	
4	92995-06600	WASHER				2	2	
5	90151-06040	SCREW, COUNTERSUNK				3		

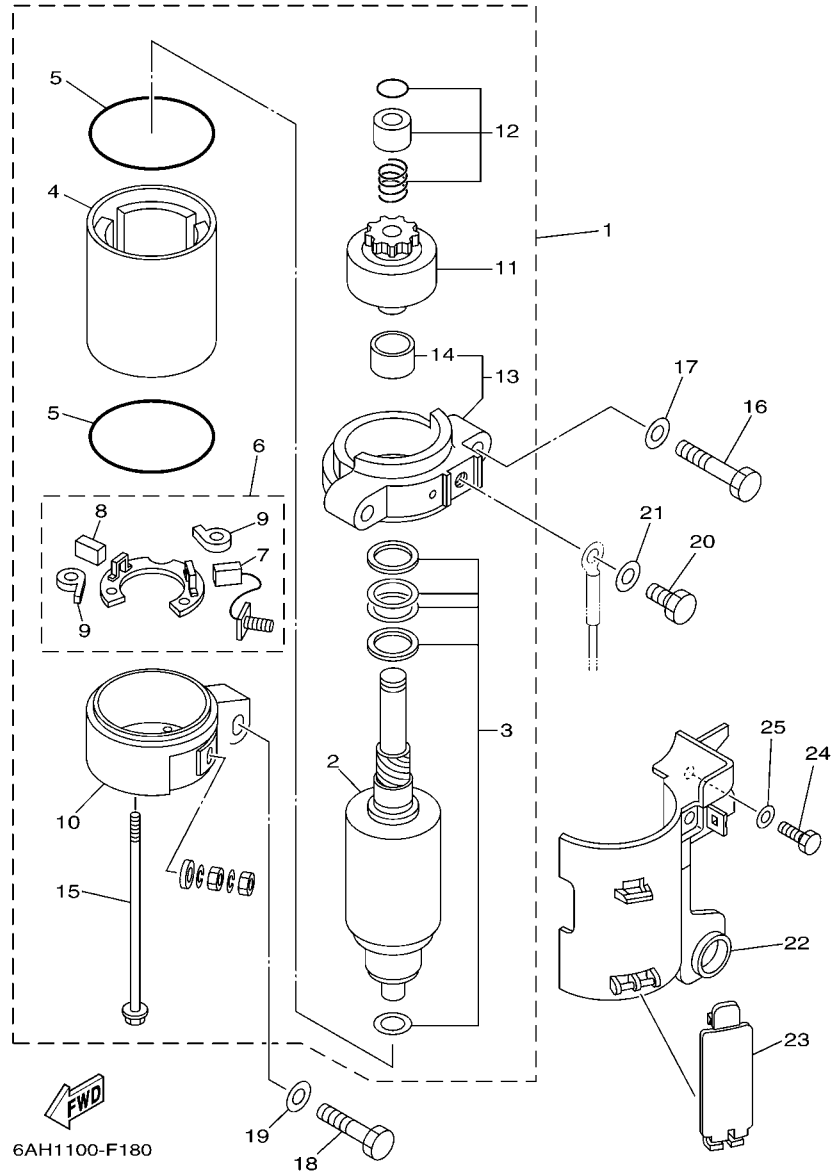


FIG. 17 STARTING MOTOR

REF. NO.	PART NO.	DESCRIPTION	MH	EH	PH	PR	REMARKS
1	6AH-81800-00	STARTING MOTOR ASSY		1	1	1	
2	689-81850-11	.ARMATURE ASSY		1	1	1	
3	689-81809-11	.WASHER KIT		1	1	1	
4	689-81810-11	.STATOR ASSY		1	1	1	
5	689-81847-11	.O-RING		2	2	2	
6	689-81840-11	.BRUSH HOLDER ASSY		1	1	1	
7	689-81811-11	..BRUSH 1		1	1	1	
8	689-81812-11	..BRUSH 2		1	1	1	
9	689-81813-10	..SPRING, BRUSH		2	2	2	
10	6AH-81820-00	.REAR BRACKET ASSY		1	1	1	
11	689-81807-12	.GEAR ASSY, STARTING MOTOR		1	1	1	
12	68T-81857-00	.RETAINER		1	1	1	
13	6AH-81830-00	.FRONT BRACKET ASSY		1	1	1	
14	689-81831-00	..METAL, FRONT		1	1	1	
15	689-81826-10	.BOLT		2	2	2	
16	97013-08045	BOLT		2	2	2	
17	92903-08600	WASHER, PLATE		2	2	2	
18	97013-08035	BOLT		1	1	1	
19	92903-08600	WASHER, PLATE		1	1	1	
20	97095-08016	BOLT		1	1	1	
21	92995-08600	WASHER		1	1	1	
22	6AH-81942-00	COVER		1	1	1	
23	6AH-82581-00	STAY, CORD CLAMP		1	1	1	
24	97095-06014	BOLT		1	1	1	
25	92995-06600	WASHER		1	1	1	

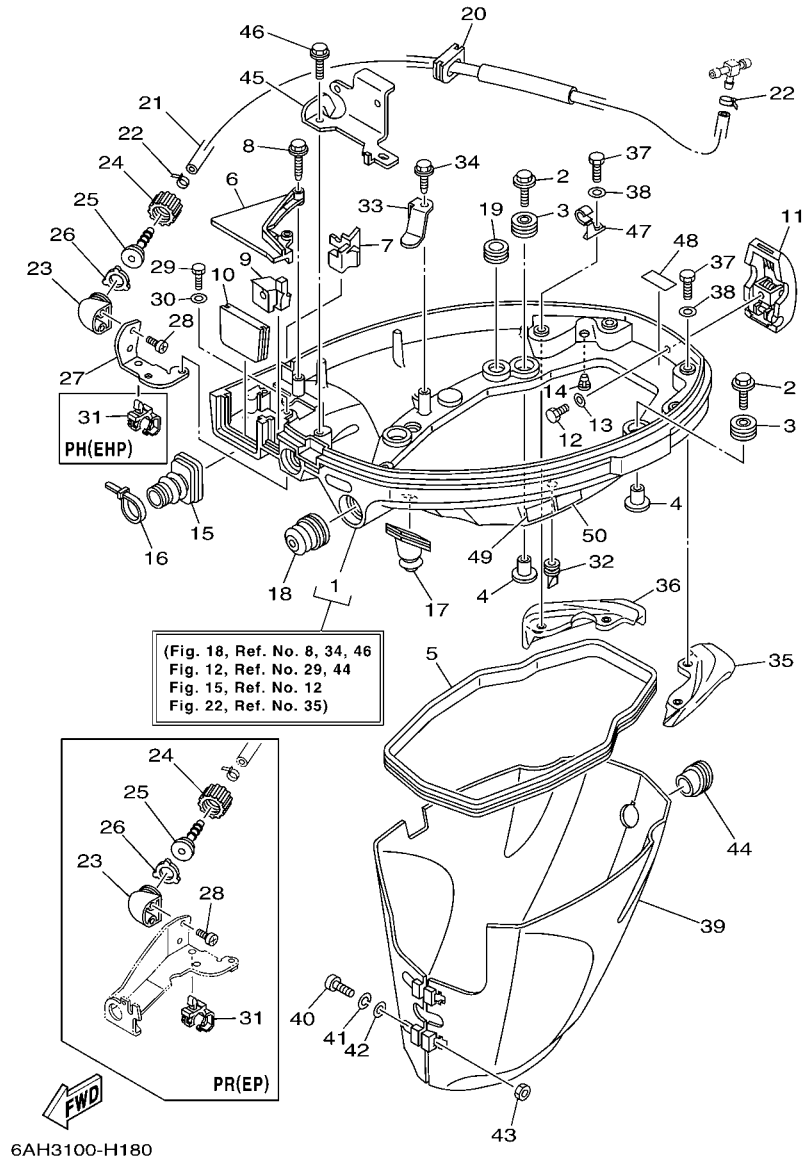


FIG. 18 BOTTOM COWLING

REF. NO.	PART NO.	DESCRIPTION	MH	EH	PH	PR	REMARKS
1	6AH-42710-00-4D	BOTTOM COWLING ASSY	1	1			
	6AH-42710-10-4D	BOTTOM COWLING ASSY			1	1	
2	68F-85119-00	BOLT	4	4	4	4	
3	90480-21M82	GROMMET	4	4	4	4	
4	90387-06176	COLLAR	4	4	4	4	
5	6AH-42716-00	RUBBER, SEAL 1	1	1	1	1	
6	6AH-42738-00-4D	PLATE, FITTING	1	1	1	1	
7	6AH-42718-00	RUBBER, SEAL 3	1	1	1	1	
8	90109-06M82	BOLT	2	2	2	2	
9	6AH-42725-00	GROMMET	1				
	6AH-42725-10	GROMMET		1	1		
	6AH-42725-20	GROMMET				1	
10	6AH-42724-00	GROMMET	1	1	1		
	6AH-42724-10	GROMMET				1	
11	6AH-42801-00	COWLING CLAMP COMP.	1	1	1	1	
12	97095-06012	BOLT	1	1	1	1	
13	92995-06600	WASHER	1	1	1	1	
14	6H3-44391-01	NIPPLE, HOSE	1	1	1	1	
15	6AH-26326-00	GROMMET	1	1	1	1	
16	90465-11M10	CLAMP	1	1	1	1	
17	6AH-42727-00	GROMMET	1	1	1	1	
18	65W-42726-00	GROMMET	1	1	1		
	65W-42726-10	GROMMET				1	
19	90480-16007	GROMMET	1	1	1	1	
20	6AH-42726-00	GROMMET	1	1	1	1	
21	6AH-24314-01	PIPE 4	1	1	1	1	
22	90465-11M10	CLAMP	2	2	2	2	

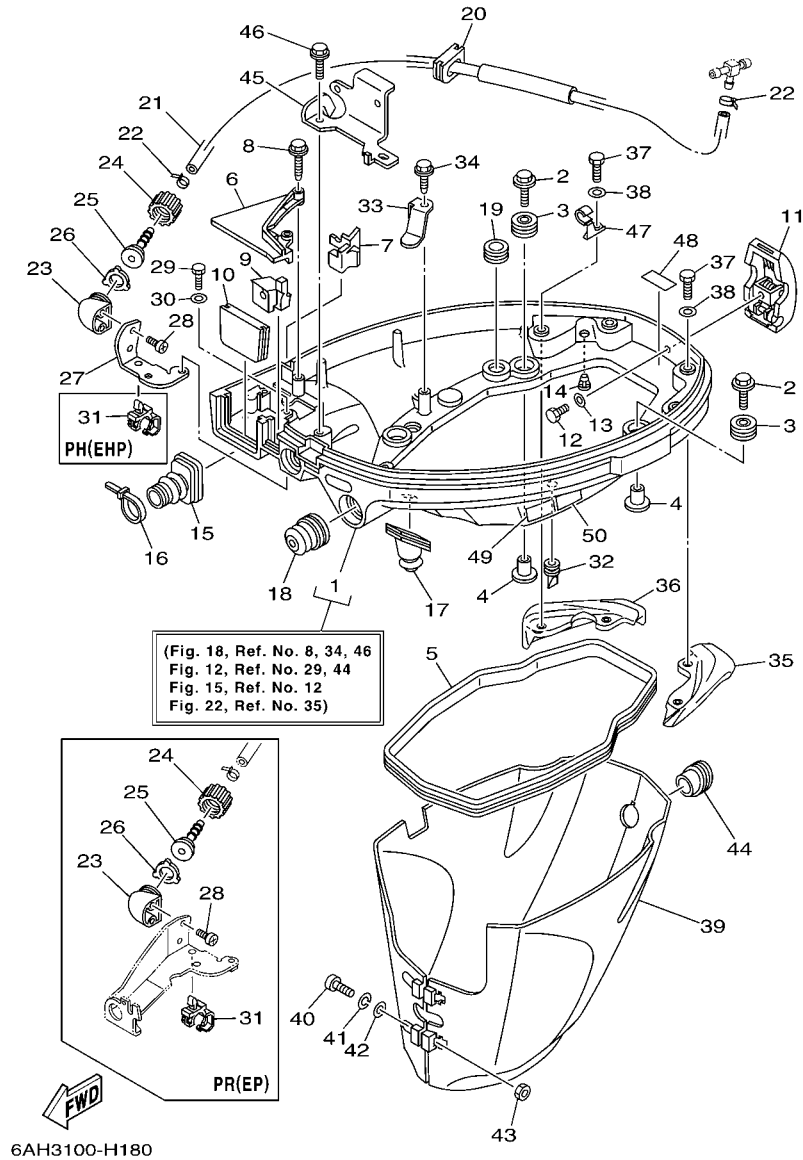
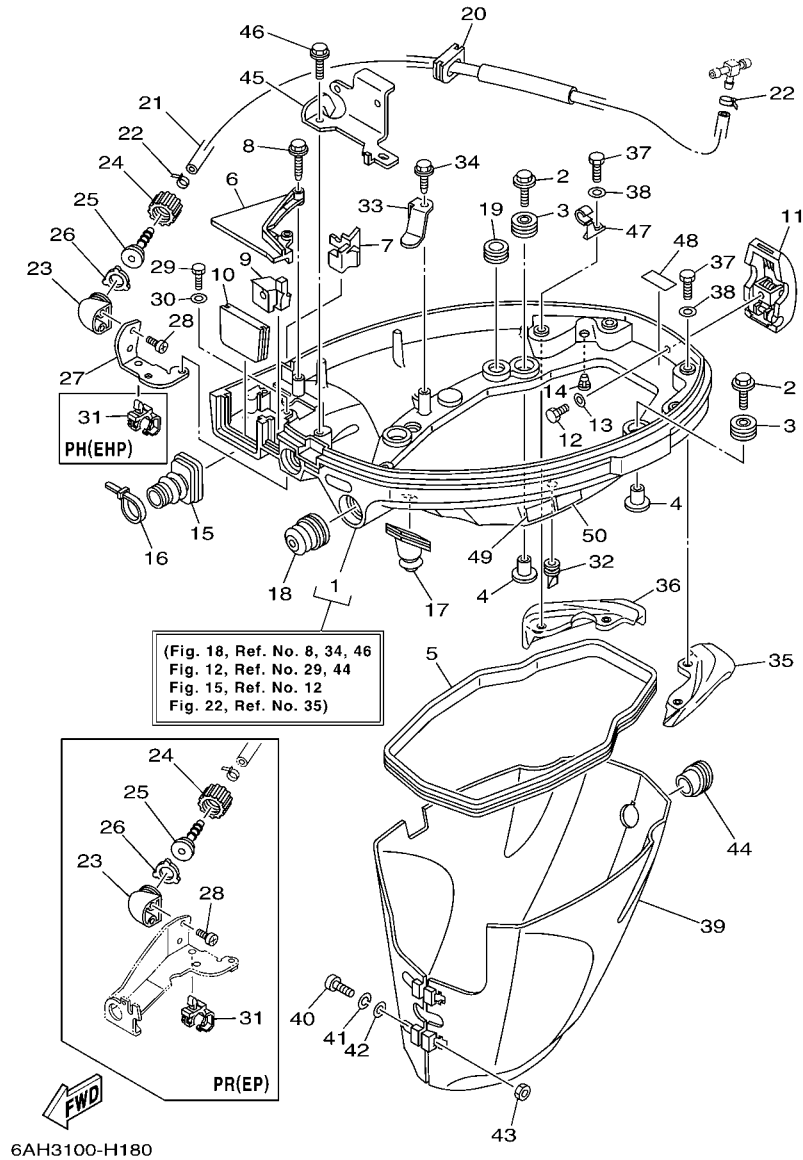


FIG. 18 BOTTOM COWLING

REF. NO.	PART NO.	DESCRIPTION	MH	EH	PH	PR	REMARKS
23	68T-12572-00	ADAPTER	1	1	1	1	
24	6R3-12581-00	JOINT, HOSE 1	1	1	1	1	
25	6R3-12582-00	JOINT, HOSE 2	1	1	1	1	
26	6R3-12583-00	GASKET, HOSE JOINT	1	1	1	1	
27	6AH-12535-00	PLATE	1	1	1	1	
28	90167-06002	SCREW, TAPPING	2	2	2	2	
29	97095-06010	BOLT	2	2	2	2	
30	92995-06600	WASHER	2	2	2	2	
31	90464-12M58	CLAMP			1	1	
32	65W-42717-00	RUBBER, SEAL 2	2	2	2	2	
33	6AH-42743-00	BRACKET	1	1	1	1	
34	90109-06M86	BOLT	1	1	1	1	
35	6AH-42761-00	STOPPER	1	1	1	1	
36	6AH-42762-00	STOPPER	1	1	1	1	
37	97075-06012	BOLT	4	4	4	4	
38	92995-06600	WASHER	4	4	4	4	
39	6AH-42741-00	APRON	1	1	1	1	
40	97885-06030	SCREW, PAN HEAD	2	2	2	2	
41	92995-06100	WASHER, SPRING	2	2	2	2	
42	92995-06600	WASHER	2	2	2	2	
43	95380-06600	NUT, HEXAGON	2	2	2	2	
44	6AH-42717-00	RUBBER, SEAL 2	1	1	1	1	
45	6AH-15774-00	STAY 4	1	1			
46	90109-06M86	BOLT	1	1			
47	90465-08M82	CLAMP	1	1	1	1	
48	6C5-82377-00	LABEL	1	1	1	1	
49	6AH-42794-40	LABEL, WARNING (GENERAL)	1	1	1	1	



6AH3100-H180

FIG. 18 BOTTOM COWLING

REF. NO.	PART NO.	DESCRIPTION	MH	EH	PH	PR	REMARKS
50	6AH-42794-50	LABEL, WARNING (GENERAL)	1	1	1	1	FOR CAN,BRA

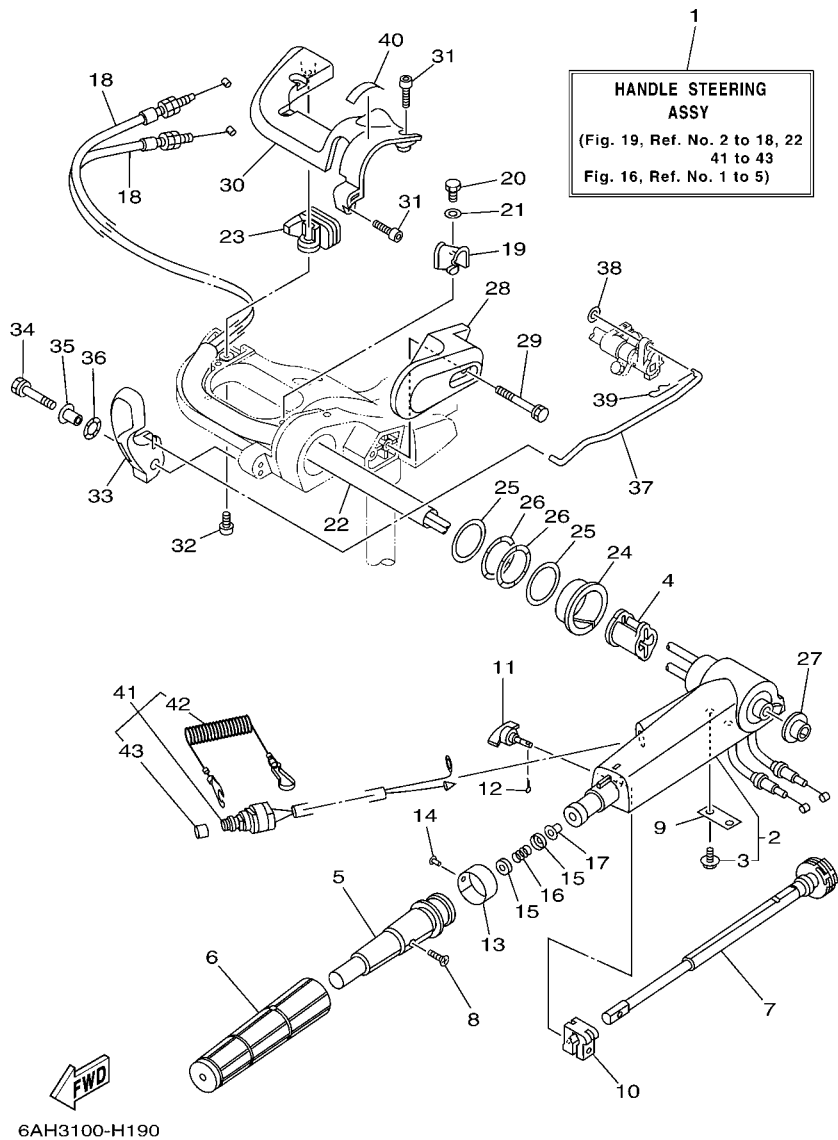


FIG. 19 STEERING

REF. NO.	PART NO.	DESCRIPTION	MH	EH	PH	PR	REMARKS
1	6AH-W0084-01-4D	HANDLE STEERING ASSY	1	1			
	6AH-W0084-11-4D	HANDLE STEERING ASSY			1		
2	6AH-42101-01-4D	HANDLE, STEERING	1	1			
	6AH-42101-11-4D	HANDLE, STEERING			1		
3	90109-06M86	.BOLT	2	2	2		
4	6AH-26288-00	GROMMET, CABLE	1	1	1		
5	66M-42119-00	GRIP, STEERING HANDLE	1	1	1		
6	67D-42177-00	RUBBER, HANDLE	1	1	1		
7	65W-42138-00	LEVER, THROTTLE	1	1	1		
8	90149-05M13	SCREW	1	1	1		
9	65W-42159-00	STAY	1	1	1		
10	6G1-42126-00	FRICITION, STEERING HANDLE GRIP	1	1	1		
11	65W-42125-00	BOLT, FRICTION ADJUSTING	1	1	1		
12	91490-16010	PIN. COTTER	1	1	1		
13	6J0-42137-00	INDICATOR, THROTTLE	1	1	1		
14	90269-02M09	RIVET	1	1	1		
15	6X4-44188-00	WASHER	2	2	2		
16	90501-23215	SPRING, COMPRESSION	1	1	1		
17	90386-08004	BUSH	1	1	1		
18	6AH-26311-00	CABLE, THROTTLE 1	2	2	2		
19	6AH-44554-00	PLATE	1	1	1		
20	97095-06014	BOLT	1	1	1		
21	92995-06600	WASHER	1	1	1		
22	6AH-2634E-00	PROTECTOR 1	1	1	1		
23	6AH-42551-00	GROMMET	1	1	1		
24	90386-45001	BUSH	1	1	1		
25	90201-39008	WASHER, PLATE	2	2	2		

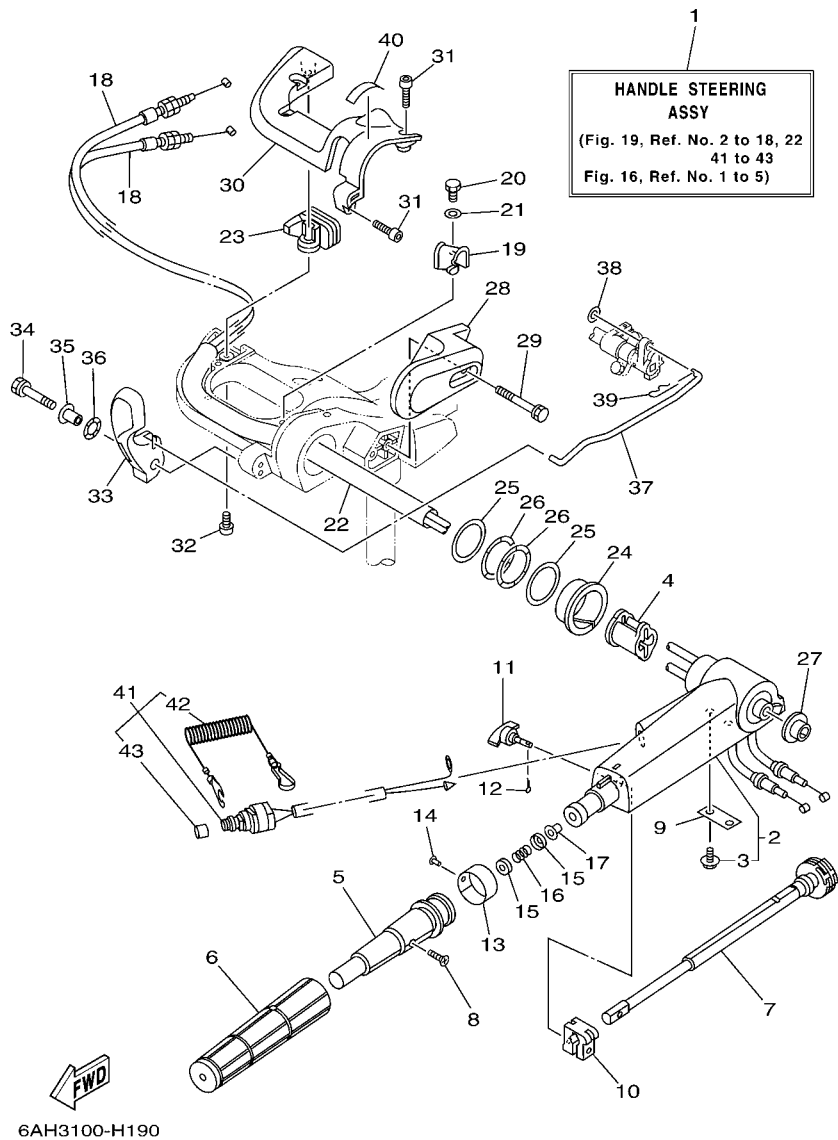
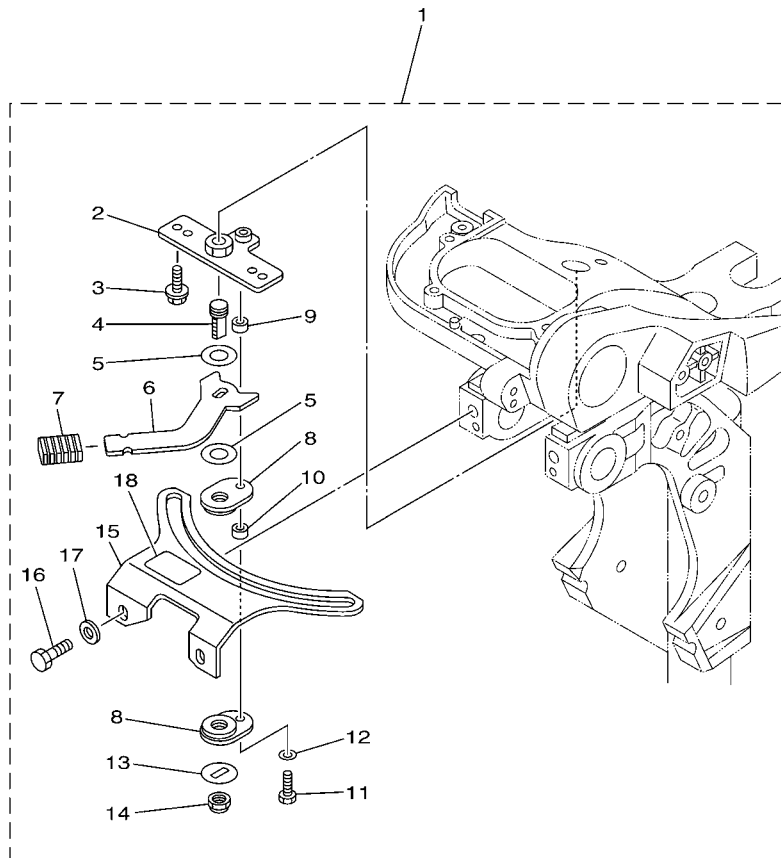


FIG. 19 STEERING

REF. NO.	PART NO.	DESCRIPTION	MH	EH	PH	PR	REMARKS
26	90206-39001	WASHER, WAVE	2	2	2		
27	90381-20001	BUSH, SOLID	1	1	1		
28	6AH-42131-00-4D	COVER, HANDLE STEERING	1	1	1		
29	97595-06555	BOLT, WITH WASHER	2	2	2		
30	6AH-42532-00	COVER	1	1	1		
31	90111-06072	BOLT, HEX. SOCKET BUTTON	4	4	4		
32	97780-60520	SCREW, TAPPING	1	1	1		
33	6AH-44111-00	HANDLE, GEAR SHIFT	1	1	1		
34	90119-06M05	BOLT, WITH WASHER	1	1	1		
35	90387-06M86	COLLAR	1	1	1		
36	90206-15M18	WASHER, WAVE	1	1	1		
37	6AH-44124-00	LINK, SHIFT ROD	1	1	1		
38	92990-06200	WASHER, PLAIN	1	1	1		
39	90468-18008	CLIP	1	1	1		
40	6G8-44191-00	INDICATOR, SHIFT	1	1	1		
41	6AH-82575-00	ENGINE STOP SWITCH ASSY	1	1	1		
42	682-82556-00	.LANYARD, STOP SWITCH	1	1	1		
43	689-8257Y-00	.CAP	1	1	1		



6AH1100-F210

FIG. 20 STEERING FRICTION

REF. NO.	PART NO.	DESCRIPTION	MH	EH	PH	PR	REMARKS
1	6AH-42508-00	STEERING FRICTION ASSY	1	1			
	6AH-42508-10	STEERING FRICTION ASSY			1		
2	68T-42525-01	.PLATE, FRICTION	1	1	1		
3	90119-05018	.BOLT, WITH WASHER	2	2	2		
4	67C-42562-00	.SHAFT, STEERING LOCK	1	1	1		
5	90202-10M56	.WASHER, PLATE	2	2	2		
6	68T-42561-00	.KNOB, STEERING LOCK	1	1	1		
7	689-43633-00	.COVER, TILT LEVER	1	1	1		
8	65W-42528-00	.PLATE, FRICTION	2	2	2		
9	90387-05M05	.COLLAR	1	1	1		
10	90387-05M11	.COLLAR	1	1	1		
11	97095-05020	.BOLT	1	1	1		
12	92995-05600	.WASHER	1	1	1		
13	90209-10M26	.WASHER	1	1	1		
14	90185-10M14	.NUT, SELF-LOCKING	1	1	1		
15	6AH-42527-00	.PLATE, FRICTION	1	1	1		
16	90101-08022	.BOLT	2	2	2		
17	90201-08065	.WASHER, PLATE	2	2	2		
18	68T-43155-00	.MARK 1	1	1			FOR 6AH-42508-00

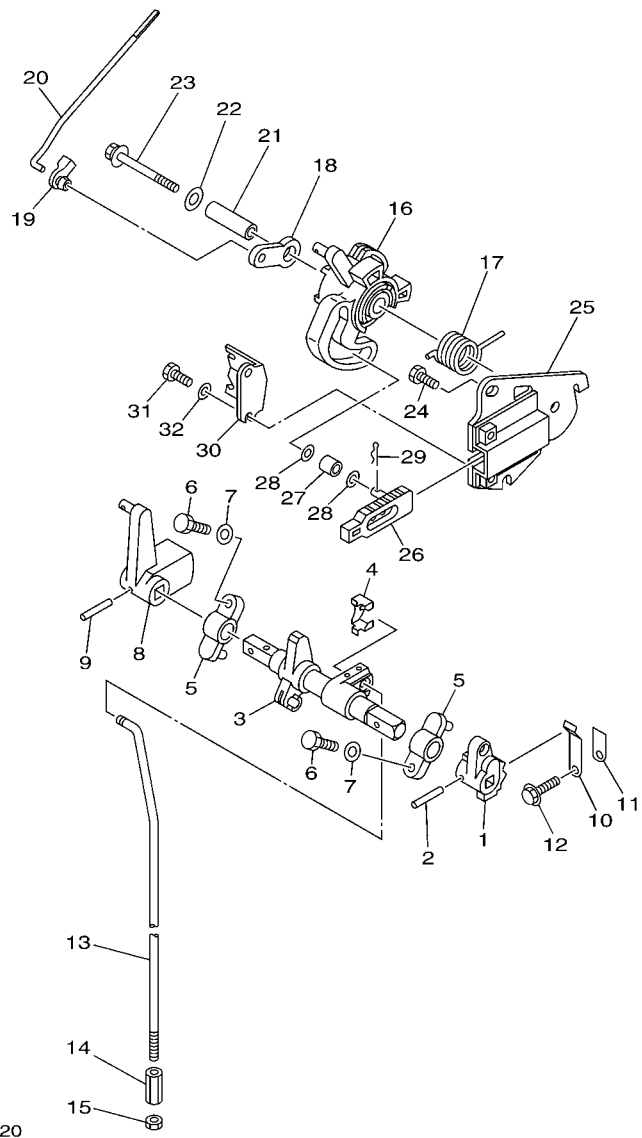
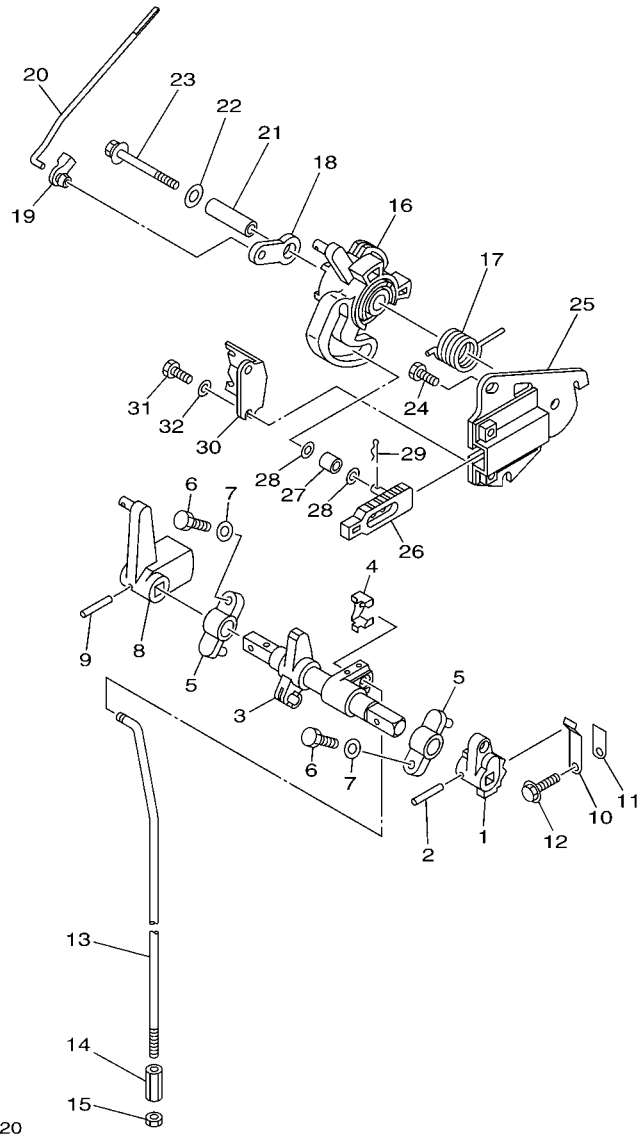


FIG. 21 CONTROL 1

REF. NO.	PART NO.	DESCRIPTION	MH	EH	PH	PR	REMARKS
1	6AH-44123-00	ARM, SHIFT ROD	1	1	1		
2	90254-03M05	PIN, SPRING	1	1	1		
3	6AH-44121-00	LEVER, SHIFT ROD	1	1	1		
4	6AH-26364-00	END, CABLE 2	1	1	1		
5	6G1-41662-01-94	BRACKET 2	2	2	2		
6	97095-06020	BOLT	2	2	2		
7	92995-06600	WASHER	2	2	2		
8	6AH-44125-00	LEVER, SHIFT ROD	1	1	1		
9	90254-03M05	PIN, SPRING	1	1	1		
10	65W-44116-00	SPRING	1	1	1		
11	66R-44114-00	STOPPER	1	1	1		
12	95895-06014	BOLT, FLANGE	1	1	1		
13	6AH-44143-00	ROD, SHIFT	1	1			S(17.1")
	6AH-44143-10	ROD, SHIFT	1	1	1		L(22.1")
14	90170-06015	NUT	1	1	1		
15	95380-06700	NUT	1	1	1		
16	6AH-41638-00	PULLEY	1	1	1		
17	90508-20M44	SPRING, TORSION	1	1	1		
18	65W-41283-00	LEVER, FREE ACCEL.	1	1	1		
19	6J8-41262-00	JOINT, CHOKE LEVER	1	1	1		
20	6AH-41211-00	LINK, ACCEL.	1	1	1		
21	90387-06139	COLLAR	1	1	1		
22	90201-06M31	WASHER, PLATE	1	1	1		
23	97595-06555	BOLT, WITH WASHER	1	1	1		
24	97095-06014	BOLT	2	2	2		
25	6AH-14571-00	BRACKET, THROTTLE	1	1	1		
26	6AH-44167-00	PLUNGER, SHIFT CAM	1	1	1		



6AH1100-F220

FIG. 21 CONTROL 1

REF. NO.	PART NO.	DESCRIPTION	MH	EH	PH	PR	REMARKS
27	62Y-42171-00	BUSHING	1	1	1		
28	90201-05M04	WASHER, PLATE	2	2	2		
29	90468-10005	CLIP	1	1	1		
30	6AH-14497-00	STAY, THROTTLE WIRE	1	1	1		
31	97095-06014	BOLT	2	2	2		
32	92995-06600	WASHER	2	2	2		

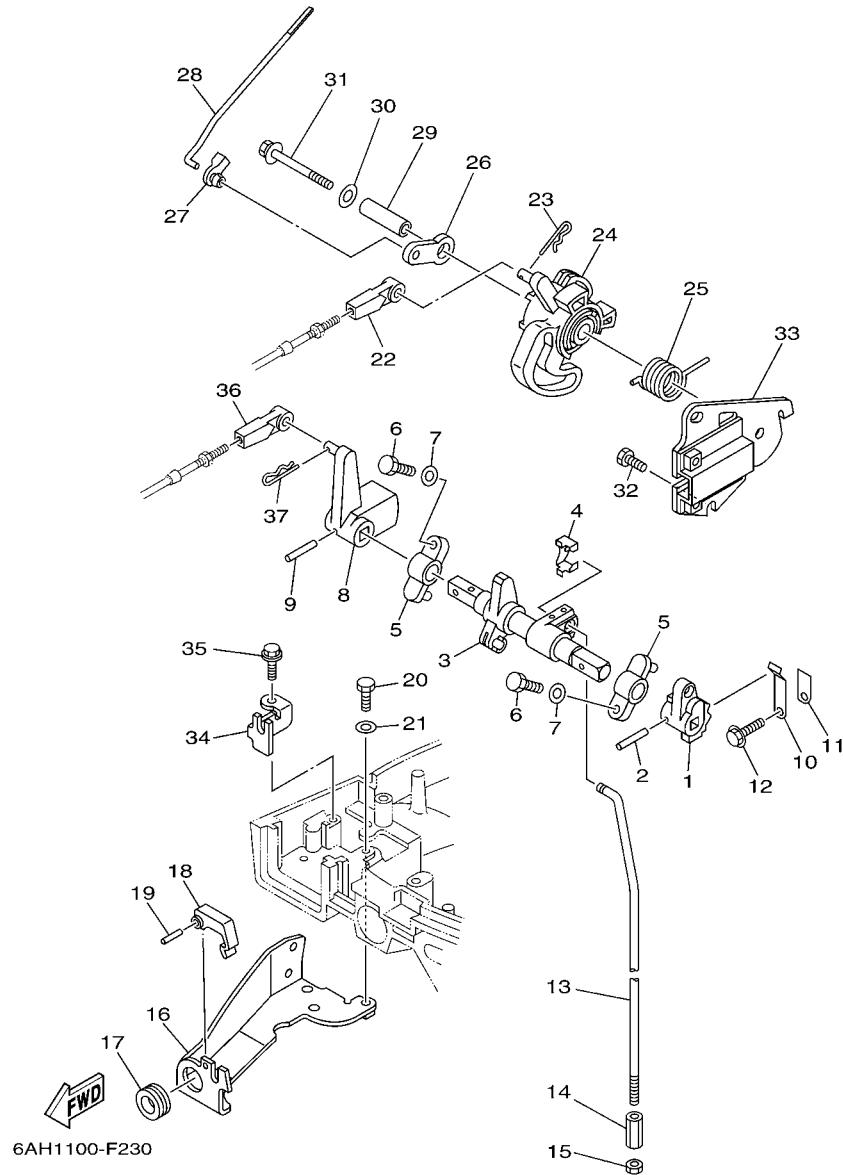


FIG. 22 CONTROL 2

REF. NO.	PART NO.	DESCRIPTION	MH	EH	PH	PR	REMARKS
1	6AH-44123-00	ARM, SHIFT ROD				1	
2	90254-03M05	PIN, SPRING				1	
3	6AH-44121-00	LEVER, SHIFT ROD				1	
4	6AH-26364-00	END, CABLE 2				1	
5	6G1-41662-01-94	BRACKET 2				2	
6	97095-06020	BOLT				2	
7	92995-06600	WASHER				2	
8	6AH-44125-00	LEVER, SHIFT ROD				1	
9	90254-03M05	PIN, SPRING				1	
10	65W-44116-00	SPRING				1	
11	66R-44114-00	STOPPER				1	
12	95895-06014	BOLT, FLANGE				1	
13	6AH-44143-10	ROD, SHIFT				1	L(22.1")
14	90170-06015	NUT				1	
15	95380-06700	NUT				1	
16	6AH-48532-00	BRACKET, REMOTE CONTROL 2				1	
17	90480-19031	GROMMET				1	
18	682-48538-50	CLAMP, CABLE 1				1	
19	91690-30012	PIN, SPRING				1	
20	97095-06014	BOLT				2	
21	92995-06600	WASHER				2	
22	663-48344-00	CABLE END, REMOTE CONTROL				1	
23	90468-18008	CLIP				1	
24	6AH-41638-00	PULLEY				1	
25	90508-20M44	SPRING, TORSION				1	
26	65W-41283-00	LEVER, FREE ACCEL.				1	
27	6J8-41262-00	JOINT, CHOKE LEVER				1	

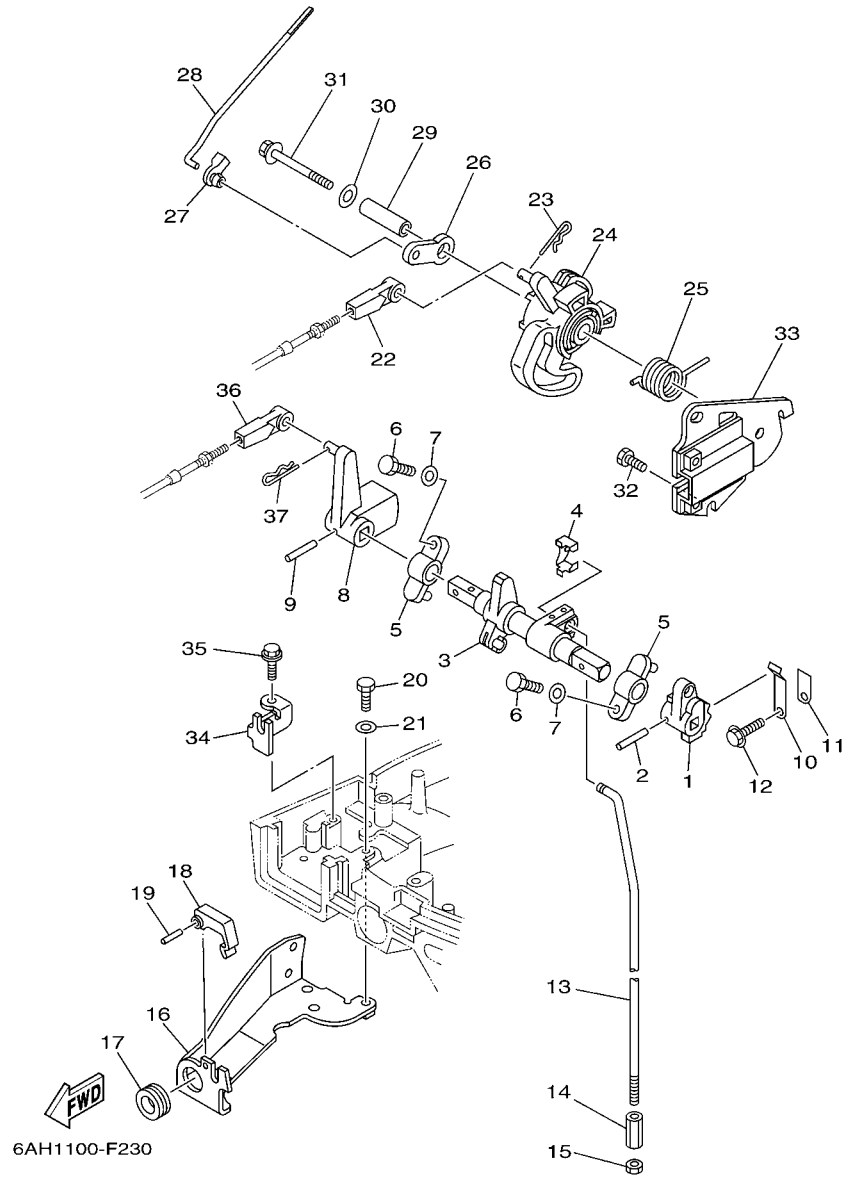
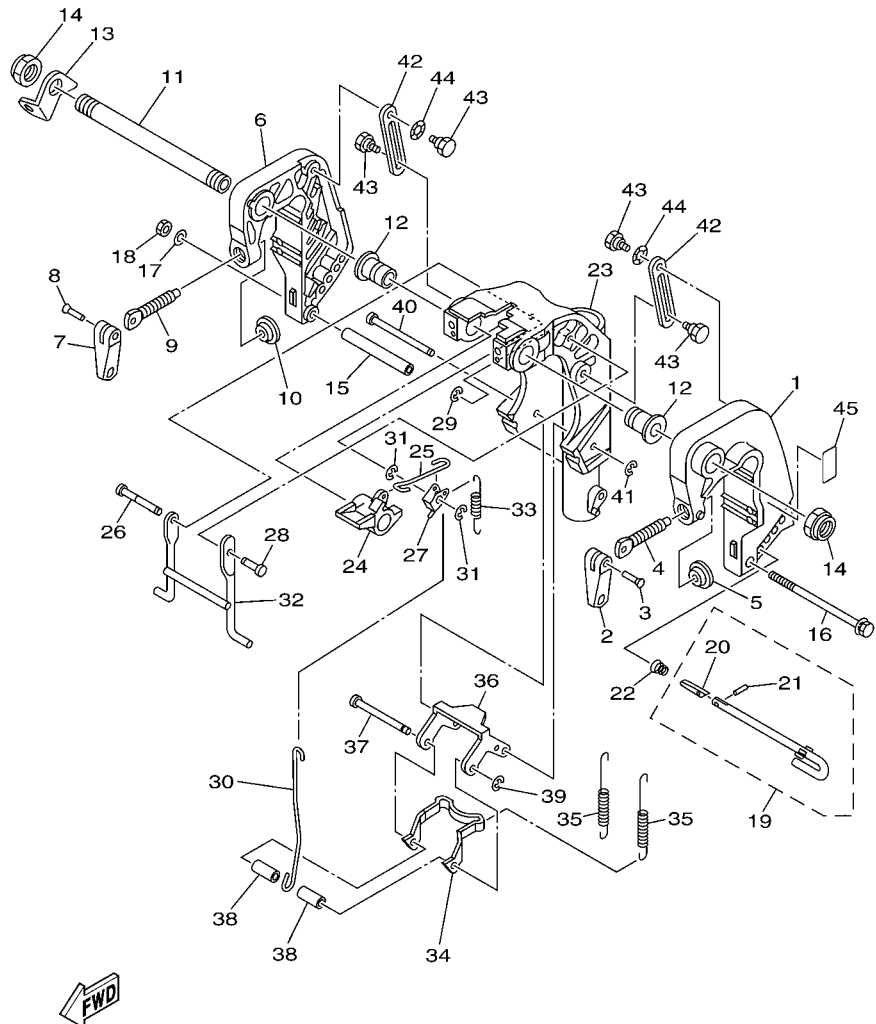


FIG. 22 CONTROL 2

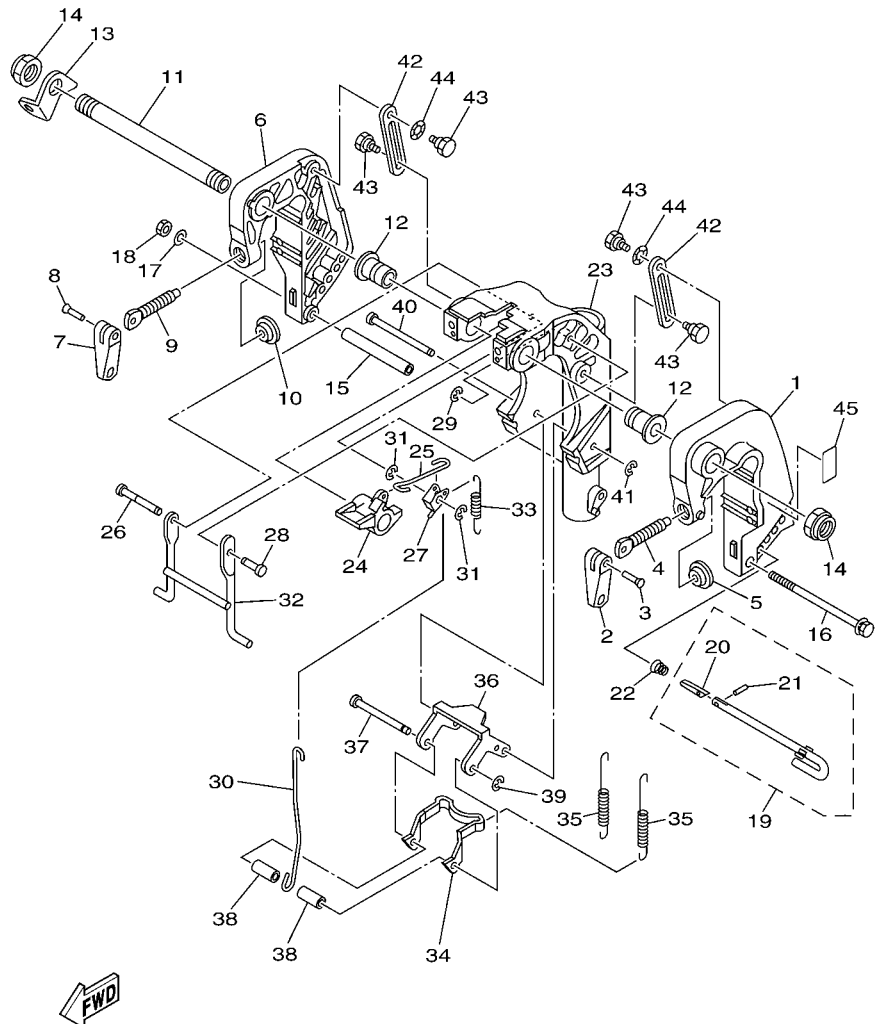
REF. NO.	PART NO.	DESCRIPTION	MH	EH	PH	PR	REMARKS
28	6AH-41211-00	LINK, ACCEL.				1	
29	90387-06139	COLLAR				1	
30	90201-06M31	WASHER, PLATE				1	
31	97595-06555	BOLT, WITH WASHER				1	
32	97095-06014	BOLT				2	
33	6AH-14571-00	BRACKET, THROTTLE				1	
34	6AH-48531-00	BRACKET, REMOTE CONTROL 1				1	
35	90109-06M86	BOLT				1	
36	663-48344-00	CABLE END, REMOTE CONTROL				1	
37	90468-18008	CLIP				1	



6AH1100-F240

FIG. 23 BRACKET 1

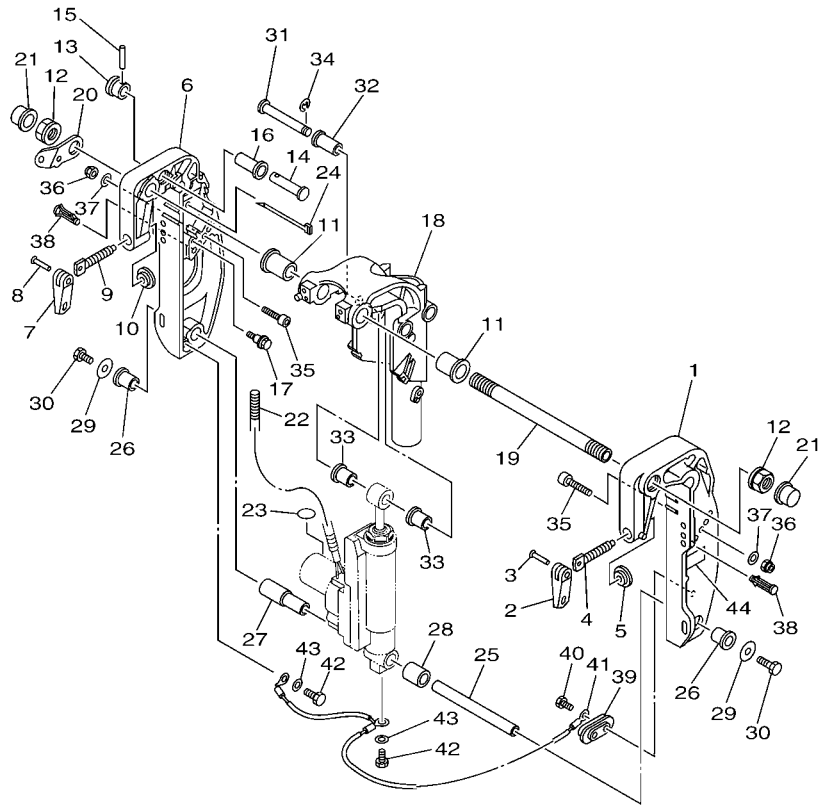
REF. NO.	PART NO.	DESCRIPTION	MH	EH	PH	PR	REMARKS
1	6AH-43111-00-4D	BRACKET, CLAMP 1	1	1			
2	6E0-43118-01	HANDLE, TRANSOM CLAMP	1	1			
3	90243-04M01	PIN	1	1			
4	6E7-43116-00	SCREW, TRANSOM CLAMP	1	1			
5	648-43114-01	PAD, TRANSOM CLAMP	1	1			
6	6AH-43112-00-4D	BRACKET, CLAMP 2	1	1			
7	6E0-43118-01	HANDLE, TRANSOM CLAMP	1	1			
8	90243-04M01	PIN	1	1			
9	6E7-43116-00	SCREW, TRANSOM CLAMP	1	1			
10	648-43114-01	PAD, TRANSOM CLAMP	1	1			
11	63W-43131-01	BOLT, CLAMP BRACKET	1	1			
	69A-43131-00	BOLT, CLAMP BRACKET	1				FOR REMOTE CONTROL
12	90386-22MA4	BUSH	2	2			
13	66R-43113-00	PLATE, CLAMP BRACKET	1	1			
14	90185-22043	NUT, SELF-LOCKING	2	2			
15	90387-06M13	COLLAR	1	1			
16	90101-06M18	BOLT	1	1			
17	92990-06600	WASHER, PLATE	1	1			
18	95380-06700	NUT	1	1			
19	6L2-43160-01	TILT ROD ASSY	1	1			
20	689-43165-00	PLATE, TILT LOCK	1	1			
21	91690-30008	PIN, SPRING	1	1			
22	90502-10M07	SPRING, CONICAL	1	1			
23	6AH-43311-00-4D	BRACKET, SWIVEL 1	1	1			S(17.1")
	6AH-43311-10-4D	BRACKET, SWIVEL 1	1	1			L(22.1")
24	6AH-43631-00	LEVER, TILT	1	1			
25	6AH-43616-00	ROD, TILT LOCK	1	1			



6AH1100-F240

FIG. 23 BRACKET 1

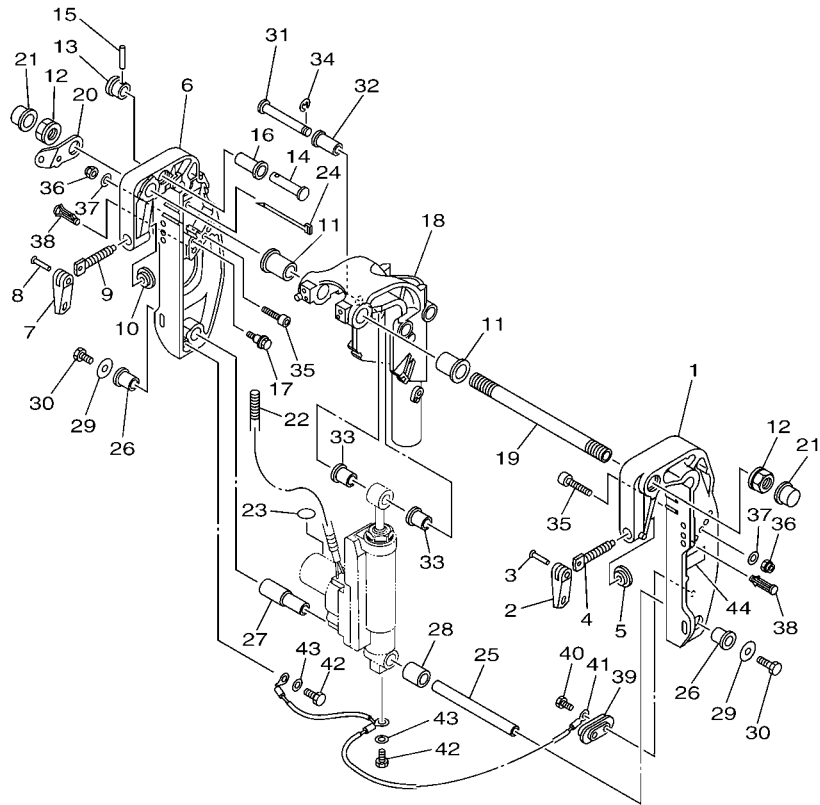
REF. NO.	PART NO.	DESCRIPTION	MH	EH	PH	PR	REMARKS
26	6AH-43646-00	SHAFT, LEVER	1	1			
27	6AH-43641-00	LEVER, TILT	1	1			
28	6AH-43191-00	SHAFT, STOPPER	1	1			
29	99080-05600	CIRCLIP	1	1			
30	6AH-43617-00	ROD, TILT LOCK	1	1			
31	99080-05600	CIRCLIP	2	2			
32	6AH-43350-00	RECEIVER ASSY	1	1			
33	90506-18014	SPRING, TENSION	1	1			
34	6AH-43614-00	PLATE, TILT LOCK	1	1			
35	90506-20020	SPRING, TENSION	2	2			
36	6AH-43615-00	PLATE, TILT LOCK	1	1			
37	68T-43611-00	SHAFT, TILT LOCK	1	1			
38	90387-06138	COLLAR	2	2			
39	93430-04M03	CIRCLIP	1	1			
40	68T-43659-00	SHAFT, REVERSE LOCK	1	1			
41	99080-05600	CIRCLIP	1	1			
42	6AH-43627-00	STOPPER	2	2			
43	90109-06M84	BOLT	4	4			
44	90206-10M24	WASHER, WAVE	2	2			
45	63V-82377-50	LABEL (SPARK,IGNITION)	1	1			FOR CAN



FWD
6AH1100-F250

FIG. 24 BRACKET 2

REF. NO.	PART NO.	DESCRIPTION	MH	EH	PH	PR	REMARKS
1	69A-43111-01-4D	BRACKET, CLAMP 1			1	1	
2	6E0-43118-01	HANDLE, TRANSOM CLAMP			1	1	
3	90243-04M01	PIN			1	1	
4	6E7-43116-00	SCREW, TRANSOM CLAMP			1	1	
5	648-43114-01	PAD, TRANSOM CLAMP			1	1	
6	69A-43112-01-4D	BRACKET, CLAMP 2			1	1	
7	6E0-43118-01	HANDLE, TRANSOM CLAMP			1	1	
8	90243-04M01	PIN			1	1	
9	6E7-43116-00	SCREW, TRANSOM CLAMP			1	1	
10	648-43114-01	PAD, TRANSOM CLAMP			1	1	
11	90386-22MA4	BUSH			2	2	
12	90185-22043	NUT, SELF-LOCKING			2	2	
13	65W-43192-00	KNOB, STOPPER			1	1	
14	65W-43191-00	SHAFT, STOPPER			1	1	
15	91690-30018	PIN, SPRING			1	1	
16	90386-14MA1	BUSH			1	1	
17	90109-06M04	BOLT			1	1	
18	69A-43311-11-4D	BRACKET, SWIVEL 1			1	1	L(22.1")
19	69A-43131-00	BOLT, CLAMP BRACKET			1	1	FOR REMOTE CONTROL
20	69A-43113-00	PLATE, CLAMP BRACKET			1	1	
21	6G5-43145-01	CAP, CLAMP BRACKET			2	2	
22	90446-14MH7	HOSE (L560)			1	1	
23	69A-43155-00	MARK 1			1	1	
24	90465-13M97	CLAMP			1	1	
25	69G-43818-00	PIN, LOWER SHOCK MOUNT			1	1	
26	90386-16MA7	BUSH			2	2	
27	90386-16MA8	BUSH			1	1	



FWD
6AH1100-F250

FIG. 24 BRACKET 2

REF. NO.	PART NO.	DESCRIPTION	MH	EH	PH	PR	REMARKS
28	90387-16M02	COLLAR			1	1	
29	90201-08M00	WASHER, PLATE			2	2	
30	97080-08016	BOLT			2	2	
31	90249-12M36	PIN			1	1	
32	90381-12M10	BUSH, SOLID			1	1	
33	90381-12M11	BUSH, SOLID			2	2	
34	99080-10600	CIRCLIP			1	1	
35	90110-08081	BOLT, HEXAGON SOCKET HEAD			2	2	
36	90185-08057	NUT, SELF-LOCKING			2	2	
37	92990-08600	WASHER, PLATE			2	2	
38	90338-08M19	PLUG			2	2	L(22.1")
39	65W-45251-00	ANODE			1	1	
40	90101-06020	BOLT			2	2	
41	63V-82127-00	WIRE, LEAD 2			1	1	
42	97095-06010	BOLT			2	2	
43	92995-06600	WASHER			2	2	
44	63V-82377-50	LABEL (SPARK,IGNITION)			1	1	FOR CAN

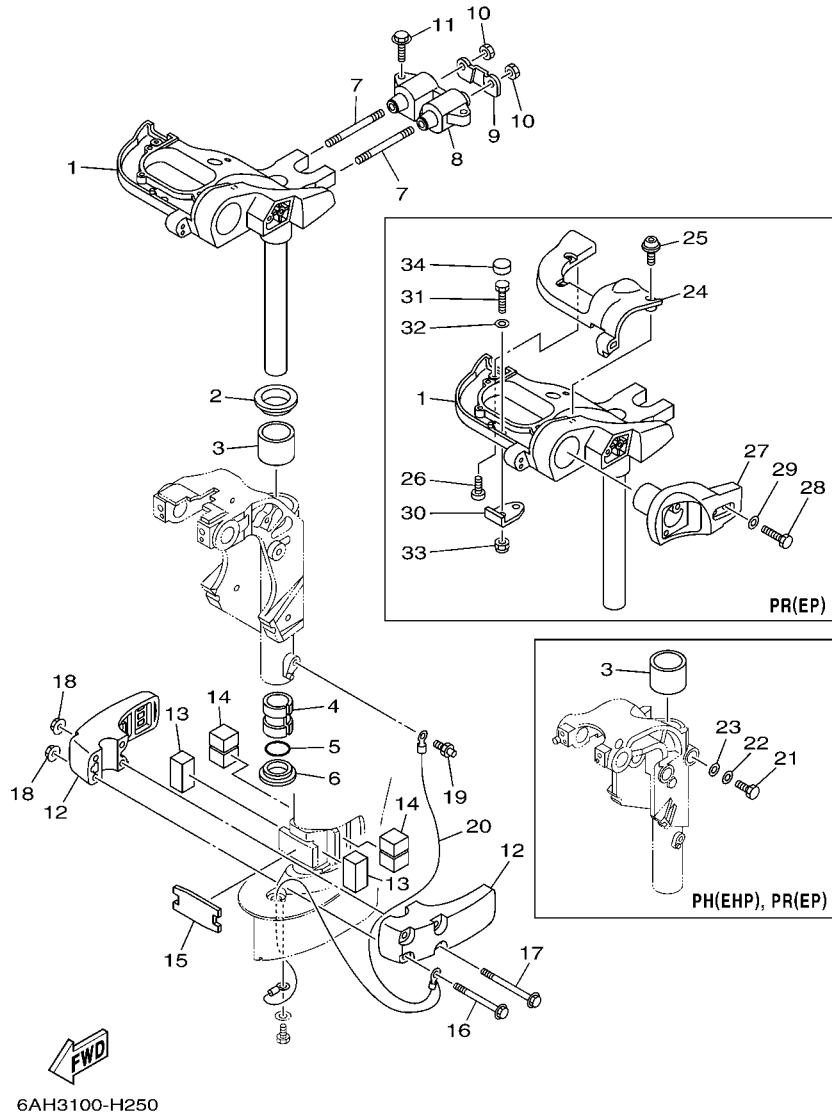


FIG. 25 BRACKET 3

REF. NO.	PART NO.	DESCRIPTION	MH	EH	PH	PR	REMARKS
1	6AH-42510-00-4D	STEERING BRACKET ASSY	1	1			S(17.1")
	6AH-42510-10-4D	STEERING BRACKET ASSY	1	1	1	1	L(22.1")
2	90209-40008	WASHER	1	1	1	1	
3	90386-40001	BUSH	1	1	1	1	
4	90386-30048	BUSH	1	1	1	1	
5	93210-29M94	O-RING	1	1	1	1	
6	90386-30M60	BUSH	1	1	1	1	
7	90116-10033	BOLT, STUD	2	2	2	2	
8	6AH-44514-00-94	MOUNT DAMPER, UPPER SIDE	1	1	1	1	
9	6AH-44526-00	PLATE	1	1	1	1	
10	95380-10600	NUT	2	2	2	2	
11	90119-08094	BOLT, WITH WASHER	2	2	2	2	
12	6AH-44551-00-4D	HOUSING, LOWER MOUNT RUBBER	2	2	2	2	
13	6AH-44557-00	MOUNT DAMPER, LOWER FRONT	2	2	2	2	
14	6AH-44555-00	MOUNT DAMPER, LOWER SIDE	2	2	2	2	
15	6AH-44574-00	STOPPER, LOWER MOUNT RUBBER	1	1	1	1	
16	90119-08M45	BOLT, WITH WASHER	2	2	2	2	
17	90119-08M46	BOLT, WITH WASHER	2	2	2	2	
18	90179-08M34	NUT	4	4	4	4	
19	93700-06M03	NIPPLE, GREASE	1	1	1	1	
20	6AH-82127-00	WIRE, LEAD 2	1	1			
	6AH-82127-11	WIRE, LEAD 2			1	1	L(22.1")
21	97095-06014	BOLT			1	1	
22	92995-06600	WASHER			1	1	
23	92995-06600	WASHER			1	1	
24	6AH-42532-10	COVER				1	
25	90111-06072	BOLT, HEX. SOCKET BUTTON				4	

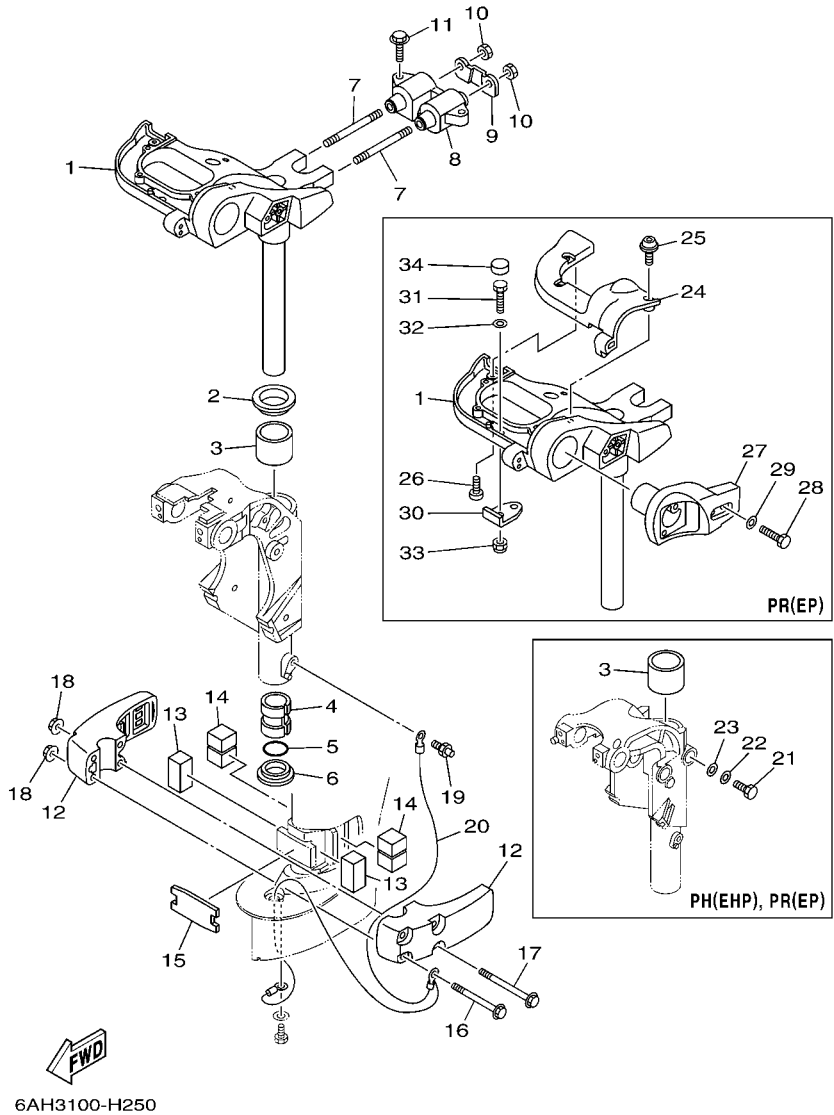


FIG. 25 BRACKET 3

REF. NO.	PART NO.	DESCRIPTION	MH	EH	PH	PR	REMARKS
26	97780-60520	SCREW, TAPPING				1	
27	6AH-83773-00	BRACKET, SWITCH				1	
28	97095-06030	BOLT				2	
29	92995-06600	WASHER				2	
30	6AH-48511-00	HOOK, STEERING				1	
31	97095-08025	BOLT				1	
32	92995-08600	WASHER				1	
33	90185-08057	NUT, SELF-LOCKING				1	
34	6AH-44194-00	CAP				1	

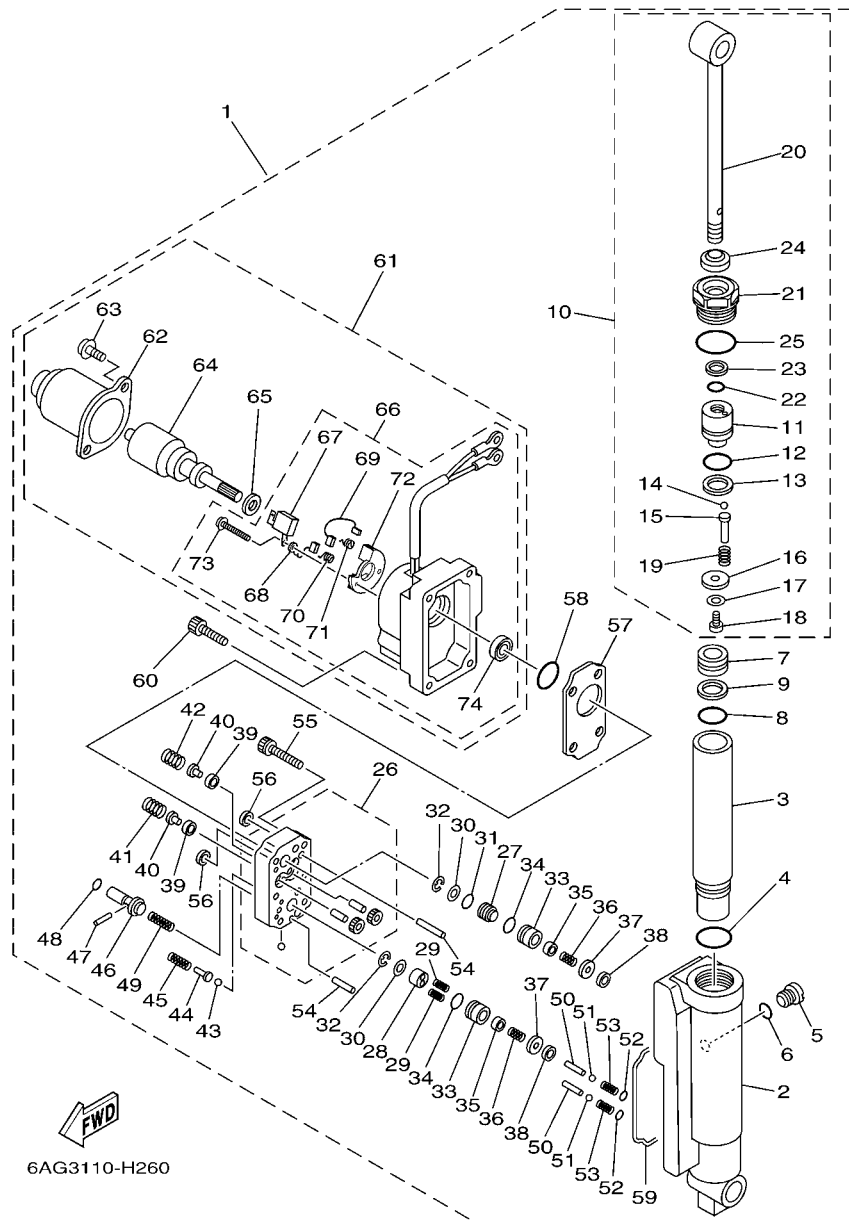


FIG. 26 POWER TILT ASSY

REF. NO.	PART NO.	DESCRIPTION	MH	EH	PH	PR	REMARKS	
1	6AH-43840-01-4D	POWER TILT ASSY				1	1	
2	6AH-4380K-00	.CYLINDER, TILT SUB ASSY				1	1	
3	6AH-22471-00	.CYLINDER, SHOCK ABSORBER				1	1	
4	93210-320A7	.O-RING				1	1	
5	6H1-4388E-11	.PLUG, TAPER SCREW				1	1	
6	93210-07003	.O-RING				1	1	
7	6AH-43814-00	.PISTON, FREE				1	1	
8	93210-24709	.O-RING				1	1	
9	6C5-43871-00	.RING, BACK UP				1	1	
10	6AH-43810-00	.TILT PISTON SUB ASSY				1	1	
11	6AH-4380D-00	..PISTON COMP.				1	1	
12	93210-24709	..O-RING				1	1	
13	6C5-43871-00	..RING, BACK UP				1	1	
14	93501-08001	..BALL				5	5	
15	6AH-4386A-00	..PIN, ABSORBER VALVE				5	5	
16	6AH-4385E-00	..PLATE, PISTON				1	1	
17	92902-06200	..WASHER				1	1	
18	6AH-43878-00	..BOLT, SOCKET				1	1	
19	6AH-43857-00	..SPRING, ABSORBER VALVE				5	5	
20	6AH-43801-00	..ROD				1	1	
21	6AH-43811-00	..SCREW, CYLINDER END				1	1	
22	6H1-43866-00	..O-RING				1	1	
23	69A-43871-00	..RING, BACK UP				1	1	
24	69A-43812-00	..SEAL, DUST				1	1	
25	62X-43862-00	..O-RING				1	1	
26	6AH-43830-00	.GEAR PUMP ASSY				1	1	
27	69A-43841-00	.PISTON, SHUTTLE				1	1	

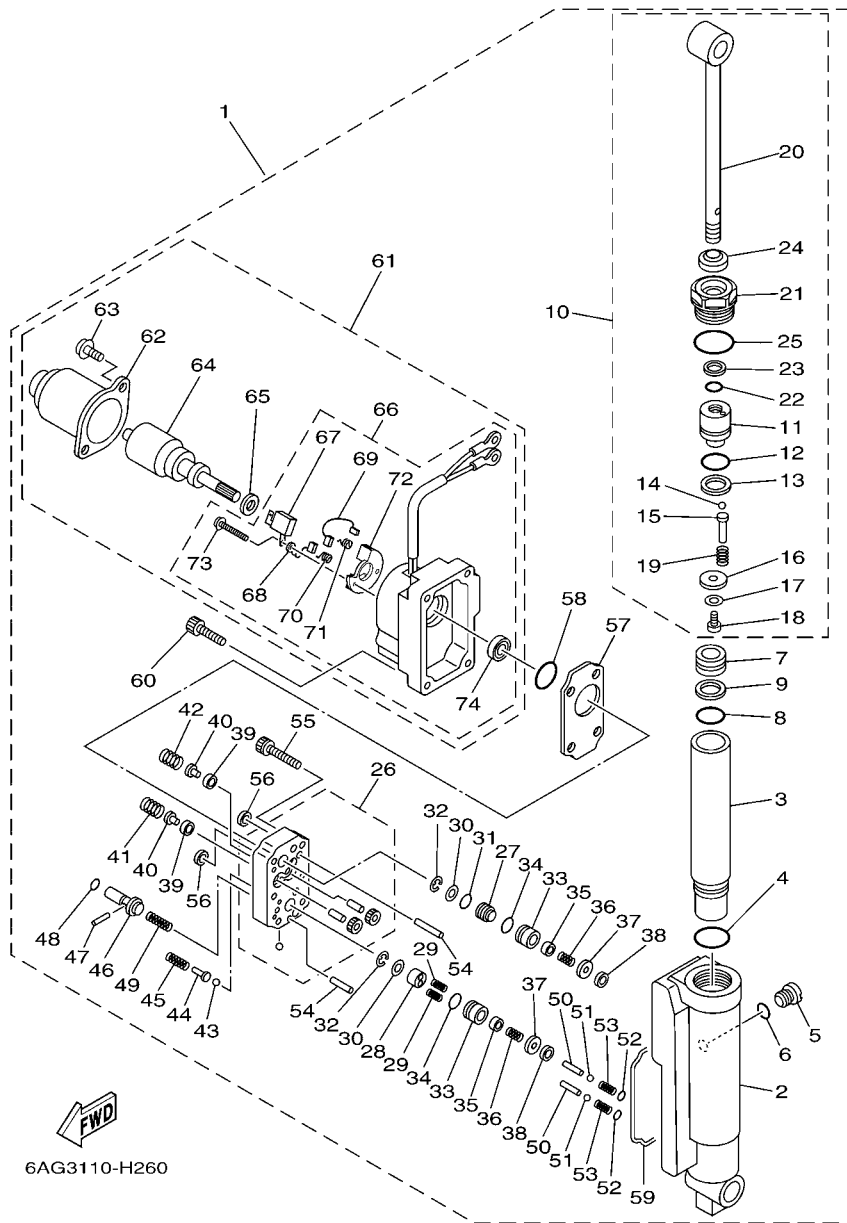


FIG. 26 POWER TILT ASSY

REF. NO.	PART NO.	DESCRIPTION	MH	EH	PH	PR	REMARKS
28	69A-4384M-00	.PISTON, SHUTTLE 2			1	1	
29	62Y-43894-00	.SPRING, SHUTTLE RETURN			2	2	
30	69A-4384F-00	.SEAL, MAIN VALVE			2	2	
31	6H1-43883-00	.O-RING			1	1	
32	99002-03600	.CLIP			2	2	
33	69G-4382G-00	.VALVE SEAT			2	2	
34	93210-12N52	.O-RING			2	2	
35	6T4-43808-00	.SEAT VALVE COMP. 1			2	2	
36	69G-43853-00	.SPRING, MAIN VALVE			2	2	
37	69G-4388F-00	.SPACER			2	2	
38	69J-4381C-00	.FILTER 3			2	2	
39	6H1-4384G-11	.SEAL, RELIEF VALVE			2	2	
40	6H1-43844-10	.PIN, VALVE SUPPORT			2	2	
41	6F2-43855-00	.SPRING, UP RELIEF			1	1	
42	6H1-43856-10	.SPRING, DOWN RELIEF			1	1	
43	93501-08001	.BALL			2	2	
44	69A-4386A-00	.PIN, ABSORBER VALVE			2	2	
45	69A-43824-00	.SPRING, DOWN RELIEF 2			2	2	
46	69A-43848-00	.ROD, MANUAL RELEASE			1	1	
47	93602-15250	.PIN, DOWEL			1	1	
48	93210-06001	.O-RING			1	1	
49	6AH-43854-00	.SPRING, MANUAL RELEASE			1	1	
50	69A-4381G-00	.PIN 1			2	2	
51	93501-08001	.BALL			2	2	
52	6H1-43883-00	.O-RING			2	2	
53	69A-4384H-00	.SPRING			2	2	
54	93606-14081	.PIN, DOWEL			2	2	

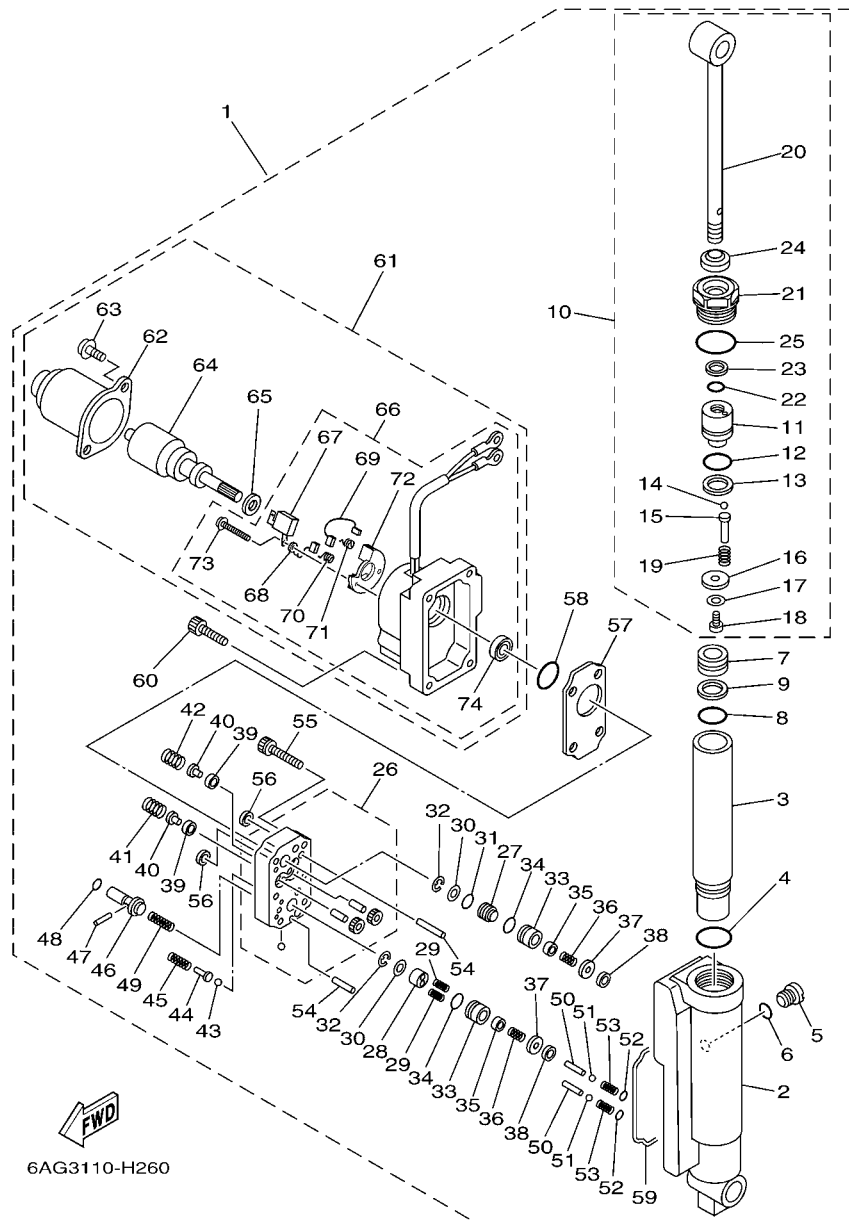


FIG. 26 POWER TILT ASSY

REF. NO.	PART NO.	DESCRIPTION	MH	EH	PH	PR	REMARKS
55	91312-05025	.BOLT			6	6	
56	69J-4381C-00	.FILTER 3			2	2	
57	6AH-4381J-00	.PLATE			1	1	
58	N35-43862-10	.O-RING			1	1	
59	69A-23129-00	.GASKET, DRAIN PLUG			1	1	
60	69A-43878-00	.BOLT, SOCKET			4	4	
61	69A-43880-01	.MOTOR ASSY			1	1	
62	65W-43804-01	..STATOR ASSY			1	1	
63	65W-43887-01	..BOLT			2	2	
64	65W-43805-01	..ARMATURE ASSY			1	1	
65	65W-4387G-00	..WASHER			1	1	
66	69A-43881-01	..FRAME, END			1	1	
67	65W-82181-00	...CIRCUIT BREAKER COMP.			1	1	
68	65W-43892-01	...BRUSH 2			1	1	
69	65W-43891-01	...BRUSH 1			1	1	
70	65W-4386K-01	...SPRING, BRUSH			1	1	
71	65W-4386L-00	...SPRING, BRUSH 2			1	1	
72	65W-4380F-01	...PLATE, BRUSH HOLDER			1	1	
73	65W-43879-01	...SCREW, WITH WASHER			2	2	
74	65W-43882-01	...OIL SEAL			1	1	

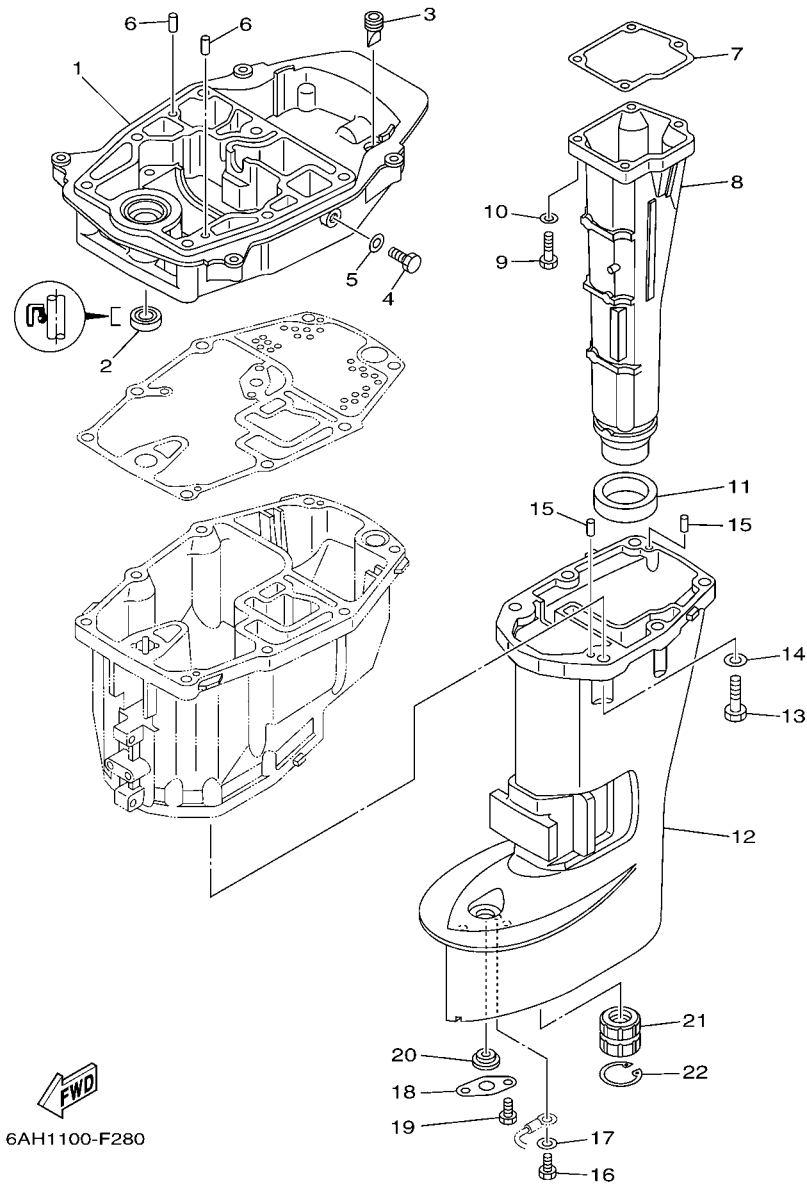


FIG. 27 UPPER CASING

REF. NO.	PART NO.	DESCRIPTION	MH	EH	PH	PR	REMARKS
1	6AH-41137-00-5B	GUIDE, EXHAUST	1	1	1	1	
2	93101-12M63	OIL SEAL	1	1	1	1	
3	65W-42717-00	RUBBER, SEAL 2	1	1	1	1	
4	97095-08014	BOLT	1	1	1	1	
5	90430-08143	GASKET	1	1	1	1	
6	93606-19M23	PIN, DOWEL	2	2	2	2	
7	6AH-41134-00	GASKET, EXHAUST MANIFOLD	1	1	1	1	
8	6AH-14711-00-5B	MUFFLER 1	1	1			S(17.1")
	6AH-14711-10-5B	MUFFLER 1	1	1	1	1	L(22.1")
9	97075-06025	BOLT	4	4	4	4	
10	92995-06600	WASHER	4	4	4	4	
11	6AH-41138-00	SEAL, EXT. 1	1	1	1	1	
12	6AH-45111-00-4D	CASING, UPPER	1	1			S(17.1")
	6AH-45111-10-4D	CASING, UPPER	1	1	1	1	L(22.1")
13	97075-08030	BOLT	6	6	6	6	
14	92995-08600	WASHER	6	6	6	6	
15	93604-12M07	PIN, DOWEL	2	2	2	2	
16	97095-05010	BOLT	1	1	1	1	
17	92995-05600	WASHER	1	1	1	1	
18	68T-45321-00	PLATE	1	1	1	1	
19	97095-06008	BOLT	1	1	1	1	
20	90480-14M54	GROMMET	1	1	1	1	
21	682-45318-00	BUSHING, DRIVE SHAFT	1	1	1	1	L(22.1")
22	93420-30042	CIRCLIP	1	1	1	1	L(22.1")

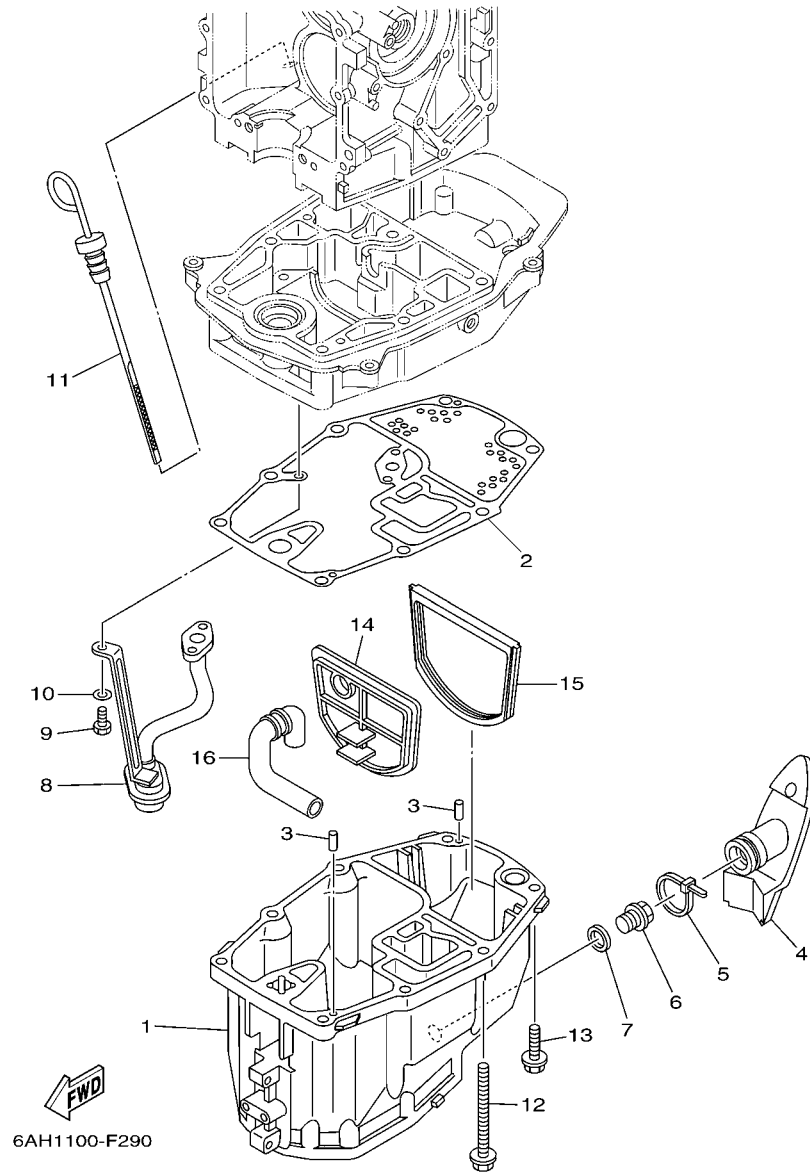


FIG. 28 OIL PAN

REF. NO.	PART NO.	DESCRIPTION	MH	EH	PH	PR	REMARKS
1	6AH-15311-00-5B	OIL PAN	1	1	1	1	
2	6AH-15312-00	GASKET, OIL PAN	1	1	1	1	
3	93604-12M07	PIN, DOWEL	2	2	2	2	
4	6AH-15316-00	DAMPER 1	1	1	1	1	
5	90465-11M59	CLAMP	1	1	1	1	
6	90340-14M06	PLUG, STRAIGHT SCREW	1	1	1	1	
7	90430-14M09	GASKET	1	1	1	1	
8	6AH-13411-00	STRAINER, OIL	1	1	1	1	
9	97013-06016	BOLT	3	3	3	3	
10	92903-06600	WASHER, PLATE	3	3	3	3	
11	6AH-15362-00	PLUG, OIL LEVEL	1	1	1	1	
12	90119-08103	BOLT, WITH WASHER	6	6	6	6	
13	90119-08102	BOLT, WITH WASHER	2	2	2	2	
14	6AH-45126-00	PLATE, SEAL DAMPER	1	1	1	1	
15	6AH-45115-00	GASKET, UPPER CASING	1	1	1	1	
16	6AH-45135-00	PIPE	1	1	1	1	

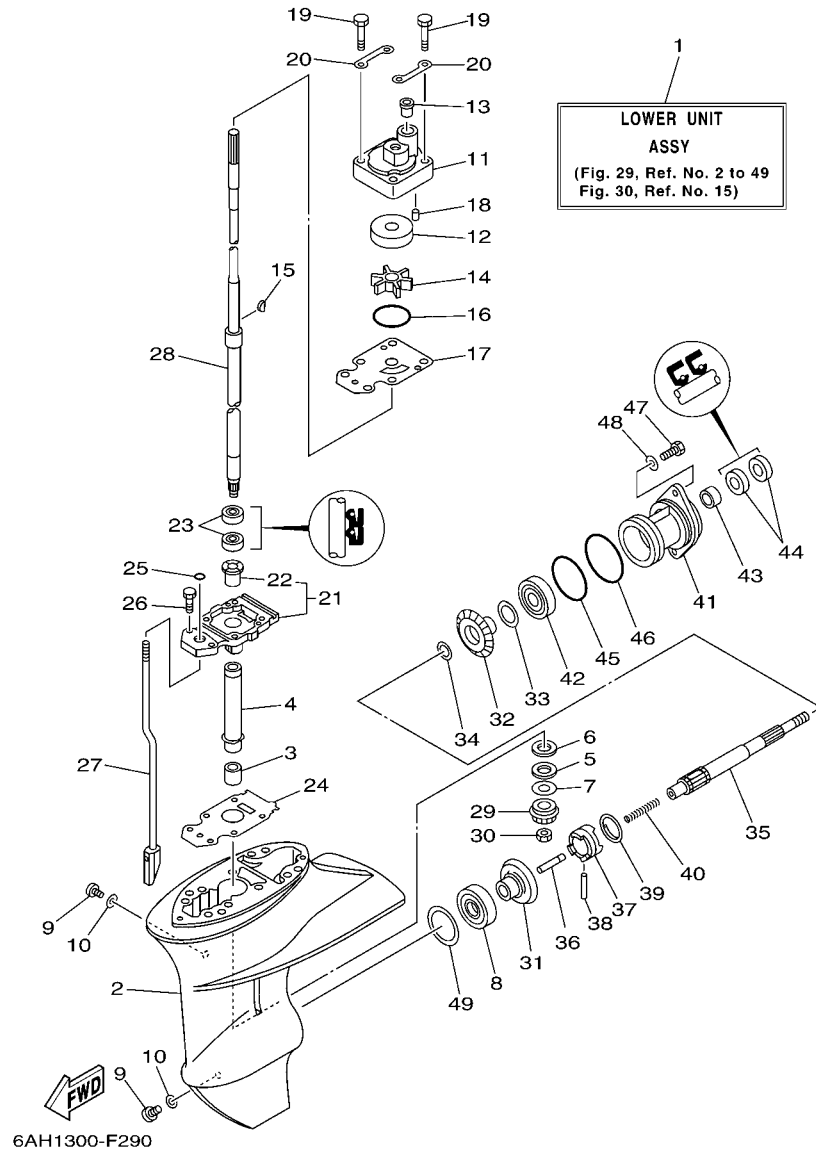


FIG. 29 LOWER CASING & DRIVE 1

REF. NO.	PART NO.	DESCRIPTION	MH	EH	PH	PR	REMARKS
1	6AH-45300-00-4D	LOWER UNIT ASSY	1	1			S(17.1")
	6AH-45300-10-4D	LOWER UNIT ASSY	1	1	1	1	L(22.1")
2	6AH-45311-00-4D	CASING, LOWER	1	1	1	1	
3	93315-314V8	BEARING	1	1	1	1	
4	63V-45536-00	SLEEVE, DRIVE SHAFT	1	1	1	1	
5	90209-14011	WASHER	1	1	1	1	
6	90201-15017	WASHER, PLATE	1	1	1	1	
7	6E8-45587-10	SHIM (T:1.13MM)	1	1	1	1	UR
	6E8-45587-30	SHIM (T:1.20MM)	1	1	1	1	UR
8	93332-00005	BEARING	1	1	1	1	
9	90340-08002	PLUG, STRAIGHT SCREW	2	2	2	2	
10	90430-08020	GASKET	2	2	2	2	
11	6AH-44311-00	HOUSING, WATER PUMP	1	1	1	1	
12	63V-44322-00	INSERT, CARTRIDGE	1	1	1	1	
13	6L2-44367-00	DAMPER, WATER SEAL	1	1	1	1	
14	63V-44352-01	IMPELLER	1	1	1	1	
15	664-44338-00	KEY, WOODRUFF	1	1	1	1	
16	93210-49046	O-RING	1	1	1	1	
17	68T-44323-00	OUTER PLATE, CARTRIDGE	1	1	1	1	
18	93604-12M07	PIN, DOWEL	2	2	2	2	
19	97080-08045	BOLT	4	4	4	4	
20	63V-44328-00	PLATE	2	2	2	2	
21	69G-45331-01-5B	HOUSING, BEARING	1	1	1	1	
22	626-45316-09	.BUSHING, DRIVE SHAFT	1	1	1	1	
23	93101-20001	OIL SEAL	2	2	2	2	
24	69G-45315-A0	PACKING, LOWER CASING	1	1	1	1	
25	93210-06ME6	O-RING	1	1	1	1	

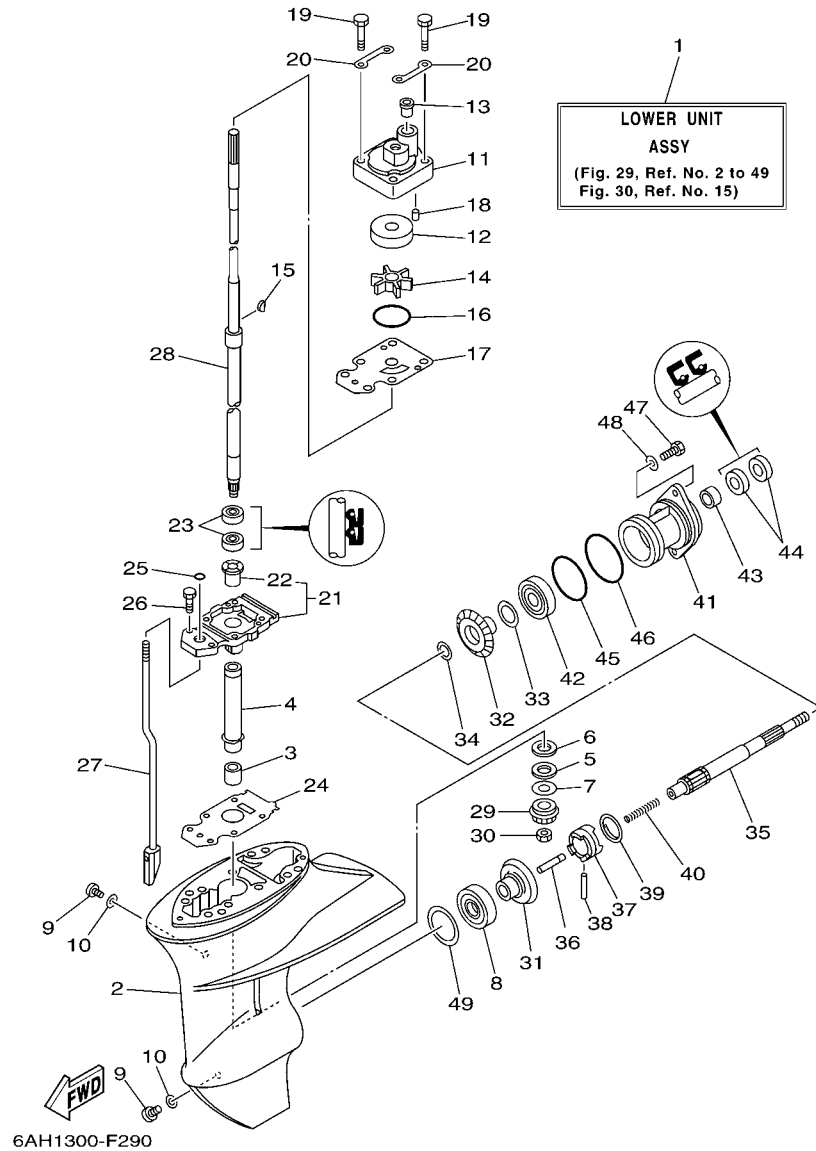


FIG. 29 LOWER CASING & DRIVE 1

REF. NO.	PART NO.	DESCRIPTION	MH	EH	PH	PR	REMARKS
26	97080-08025	BOLT	2	2	2	2	
27	6AH-44150-00	SHIFT CAM ASSY	1	1			S(17.1")
	6AH-44150-10	SHIFT CAM ASSY	1	1	1	1	L(22.1")
28	6AH-45510-00	DRIVE SHAFT ASSY	1	1			S(17.1")
	6AH-45510-10	DRIVE SHAFT ASSY	1	1	1	1	L(22.1")
29	63V-45551-00	PINION (13T)	1	1	1	1	
30	90179-08M06	NUT	1	1	1	1	
31	6E7-45560-01	GEAR 1 (27T)	1	1	1	1	
32	6E7-45571-00	GEAR 2 (27T)	1	1	1	1	
33	626-45577-00	SHIM (T:0.10MM)	1	1	1	1	UR
	626-45577-10	SHIM (T:0.20MM)	1	1	1	1	UR
	626-45577-20	SHIM (T:0.30MM)	1	1	1	1	UR
	626-45577-30	SHIM (T:0.40MM)	1	1	1	1	UR
	626-45577-40	SHIM (T:0.50MM)	1	1	1	1	UR
34	90201-17682	WASHER, PLATE	1	1	1	1	
35	683-45611-00	SHAFT, PROPELLER	1	1	1	1	
36	650-45635-00	PLUNGER, SHIFT	1	1	1	1	
37	682-45631-00	CLUTCH, DOG	1	1	1	1	
38	90250-05010	PIN, STRAIGHT	1	1	1	1	
39	648-45633-00	RING, CROSS PIN	1	1	1	1	
40	90501-150A0	SPRING, COMPRESSION	1	1	1	1	
41	683-45361-02-4D	CAP, LOWER CASING	1	1	1	1	
42	93306-00501	BEARING	1	1	1	1	
43	93315-317U2	BEARING	1	1	1	1	
44	93101-17054	OIL SEAL	2	2	2	2	
45	93210-57M09	O-RING	1	1	1	1	
46	93210-56M80	O-RING	1	1	1	1	

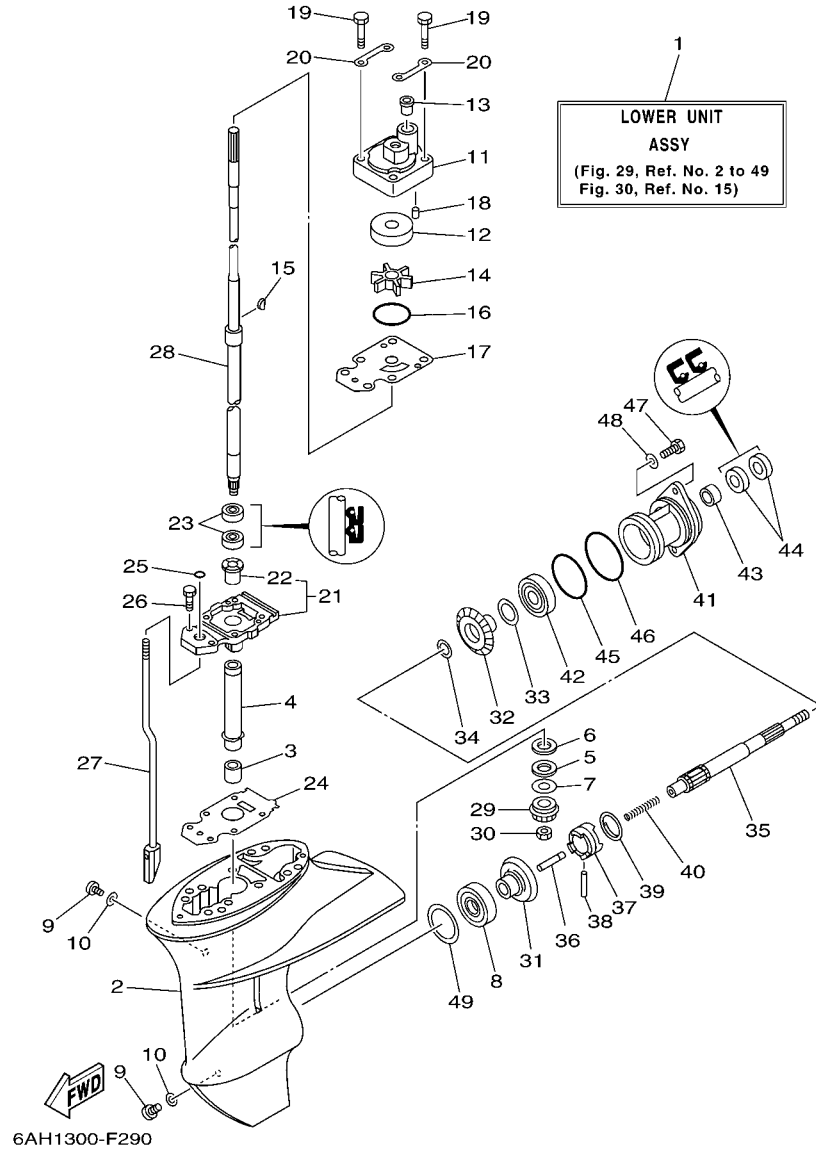


FIG. 29 LOWER CASING & DRIVE 1

REF. NO.	PART NO.	DESCRIPTION	MH	EH	PH	PR	REMARKS
47	97075-06020	BOLT	2	2	2	2	
48	92995-06600	WASHER	2	2	2	2	
49	664-45567-01	SHIM (T:0.10MM)	1	1	1	1	UR
	664-45567-10	SHIM (T:0.12MM)	1	1	1	1	UR
	664-45567-20	SHIM (T:0.15MM)	1	1	1	1	UR
	664-45567-30	SHIM (T:0.18MM)	1	1	1	1	UR
	664-45567-40	SHIM (T:0.30MM)	1	1	1	1	UR
	664-45567-50	SHIM (T:0.40MM)	1	1	1	1	UR
	664-45567-60	SHIM (T:0.50MM)	1	1	1	1	UR

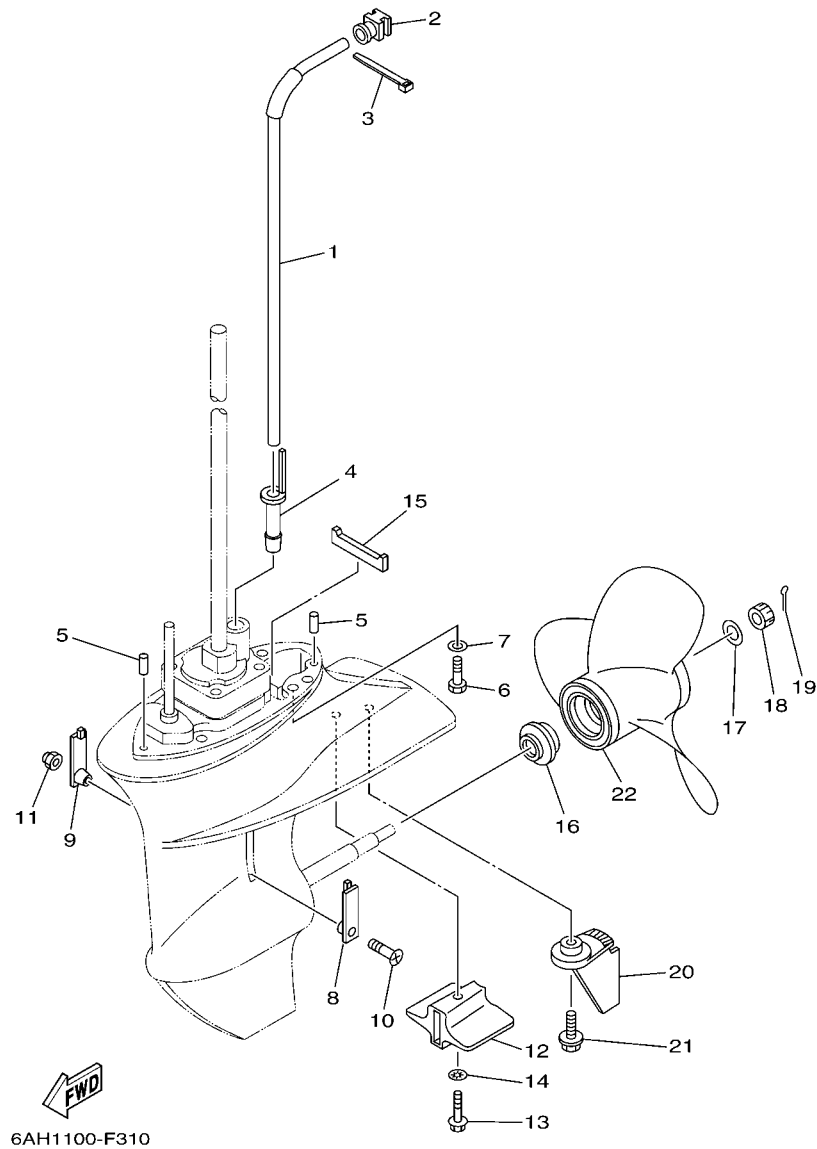


FIG. 30 LOWER CASING & DRIVE 2

REF. NO.	PART NO.	DESCRIPTION	MH	EH	PH	PR	REMARKS
1	6AH-44361-00	TUBE, WATER	1	1			S(17.1")
	6AH-44361-10	TUBE, WATER	1	1	1	1	L(22.1")
2	6AH-44365-00	DAMPER, WATER SEAL	1	1	1	1	
3	90465-11M10	CLAMP	1	1	1	1	
4	6AH-44368-00	RUBBER, WATER SEAL 4	1	1	1	1	
5	93604-12M07	PIN, DOWEL	2	2	2	2	
6	97075-08030	BOLT	4	4	4	4	
7	92995-08600	WASHER	4	4	4	4	
8	6G1-45214-00	COVER, WATER INLET 1	1	1	1	1	
9	63V-45215-00	COVER, WATER INLET 2	1	1	1	1	
10	90152-05M04	SCREW, COUNTERSUNK	1	1	1	1	
11	90185-05002	NUT, SELF-LOCKING	1	1	1	1	
12	6AH-45251-00	ANODE	1	1	1	1	
13	95895-06035	BOLT, FLANGE	1	1	1	1	
14	92990-06300	WASHER, INTERNAL TOOTH	1	1	1	1	
15	63V-45375-00	DAMPER, SEAL	1	1	1	1	
16	6E7-45987-01	SPACER	1	1	1	1	
17	90201-10M01	WASHER, PLATE	1	1	1	1	
18	90171-10M01	NUT, CASTLE	1	1	1	1	
19	91490-30020	PIN, COTTER	1	1	1	1	
20	6AH-45371-00-4D	TAB-TRIM	1	1	1	1	
21	90119-06M88	BOLT, WITH WASHER	1	1	1	1	
22	63V-45941-10-EL	PROPELLER (3X9-1/4"X12"-J1)	1	1	1	1	UR
	63V-45943-10-EL	PROPELLER (3X9-1/4"X11"-J1)	1	1	1	1	UR
	63V-45945-10-EL	PROPELLER (3X9-1/4"X9"-J1)	1	1	1	1	UR
	63V-45952-10-EL	PROPELLER (3X9-1/4"X10"-J1)	1	1	1	1	UR
	683-45941-00-EL	PROPELLER (3X9-1/4"X12"-J)	1	1	1	1	UR

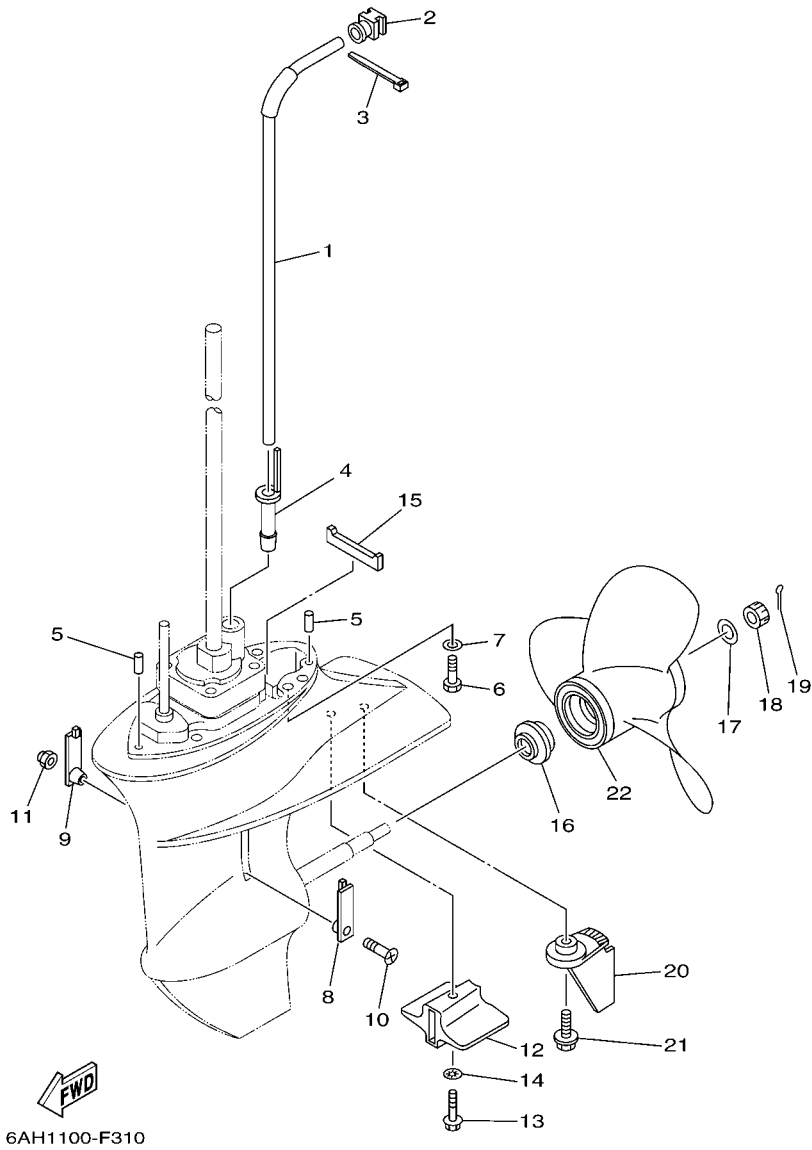


FIG. 30 LOWER CASING & DRIVE 2

REF. NO.	PART NO.	DESCRIPTION	MH	EH	PH	PR	REMARKS
22	683-45943-00-EL	PROPELLER (3X9-1/4"X10-1/2"-J)	1	1	1	1	UR
	683-45952-00-EL	PROPELLER (3X9-1/4"X9-3/4"-J)	1	1	1	1	UR

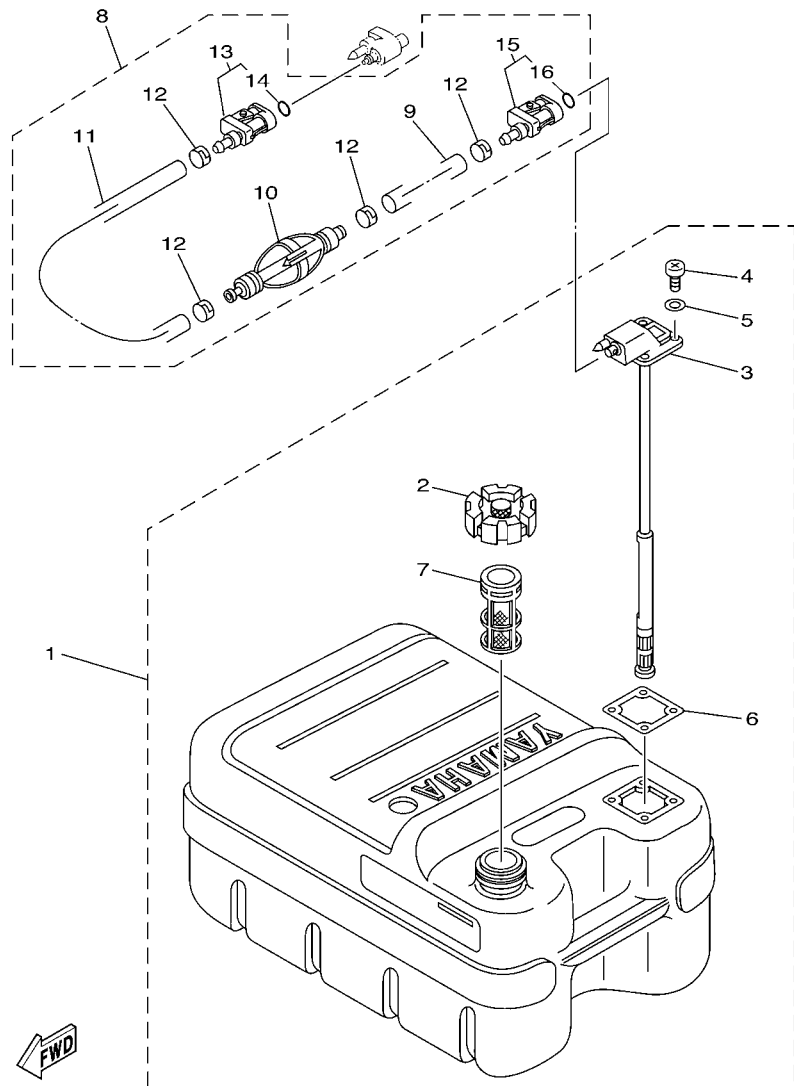
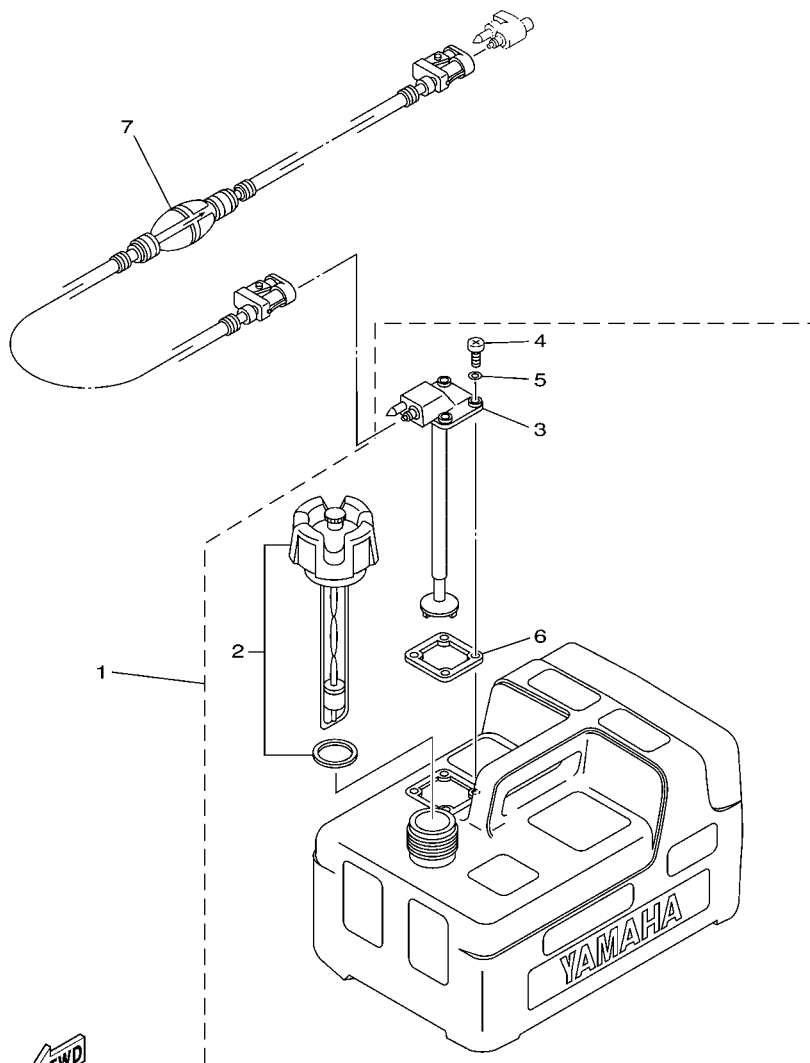


FIG. 31 FUEL TANK 1

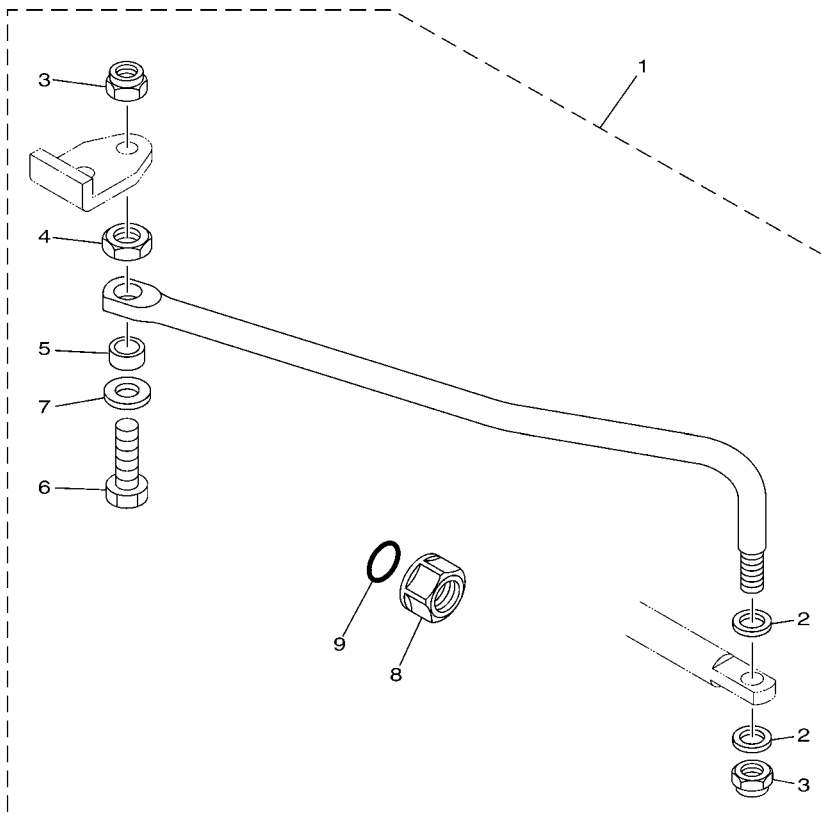
REF. NO.	PART NO.	DESCRIPTION	MH	EH	PH	PR	REMARKS
1	6YJ-24201-50	FUEL TANK ASSY (24L)	1	1	1	1	AP FOR CAN
	6YJ-24201-10	FUEL TANK ASSY (24L)	1		1	1	AP F20B-OCE,BRA
2	6YJ-24610-01	.CAP ASSY	1	1	1	1	
3	6Y1-24260-12	.FUEL METER ASSY	1	1	1	1	WITH INDICATOR
4	90157-05M19	.SCREW, PAN HEAD	4	4	4	4	
5	6Y1-24329-00	.SEAL	4	4	4	4	
6	6Y1-24268-00	.GASKET, FUEL METER	1	1	1	1	
7	6YJ-24167-00	.STRAINER	1	1	1	1	
8	6Y1-24306-55	FUEL PIPE COMP. 1	1	1	1	1	AP FOR CAN
	61J-24306-04	FUEL PIPE COMP. 1	1		1	1	AP F20B-OCE,BRA
9	90445-11M06	.HOSE (L2050)	1	1	1	1	
10	6Y1-24360-52	.PRIMER PUMP ASSY	1	1	1	1	FOR 6Y1-24306-55
	61J-24360-00	.PRIMER PUMP ASSY	1		1	1	FOR 61J-24306-04
11	90445-11M05	.HOSE (L850)	1	1	1	1	
12	650-24351-51	.BAND 1	4	4	4	4	FOR 6Y1-24306-55
	650-24351-01	.BAND 1	4		4	4	FOR 61J-24306-04
13	6G1-24305-05	.FUEL PIPE JOINT COMP. 2	1	1	1	1	
14	93210-08287	..O-RING	1	1	1	1	
15	6Y1-24305-06	.FUEL PIPE JOINT COMP. 2	1	1	1	1	
16	93210-08287	..O-RING	1	1	1	1	

FIG. 32 FUEL TANK 2



66M4100-D270

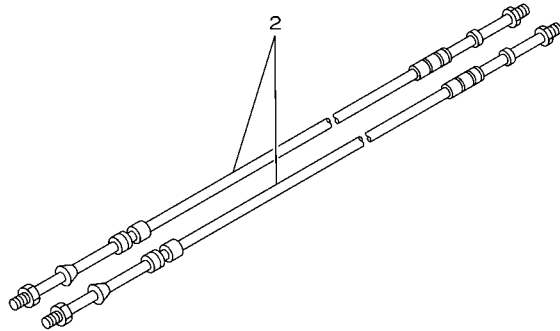
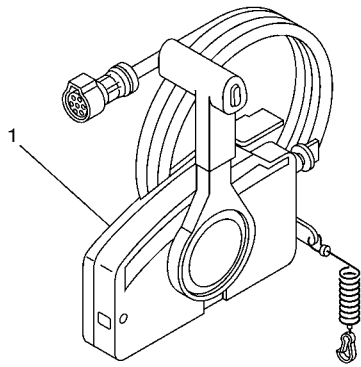
REF. NO.	PART NO.	DESCRIPTION	MH	EH	PH	PR	REMARKS
1	6YL-24201-05	FUEL TANK ASSY (12L)	1	1			AP F15C-FOR OCE
2	6YL-24610-01	.CAP ASSY	1	1			
3	6YL-24260-01	.FUEL METER ASSY	1	1			
4	90157-05M16	.SCREW, PAN HEAD	4	4			
5	6YL-24329-00	.SEAL	4	4			
6	6YL-24268-01	.GASKET, FUEL METER	1	1			
7	6YL-24306-54	FUEL PIPE COMP. 1	1	1			AP F15C-FOR OCE




6AH1100-F341

FIG. 33 STEERING GUIDE

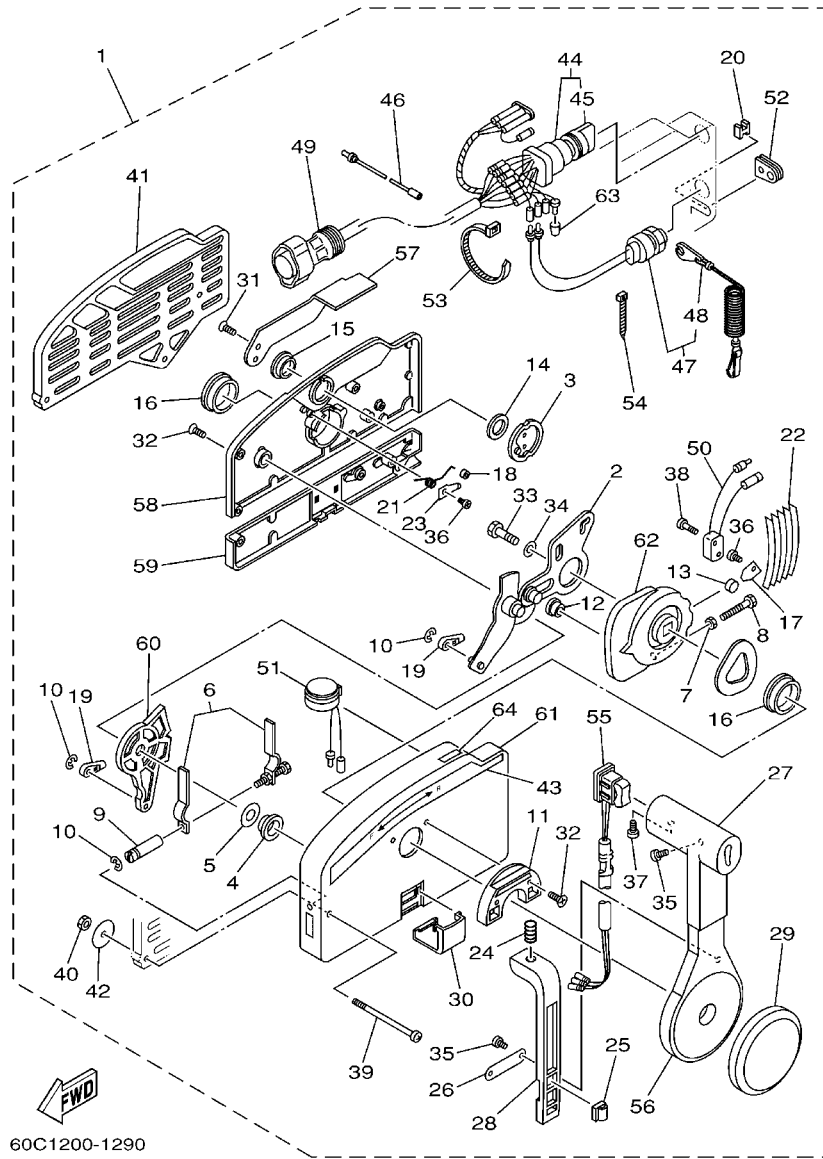
REF. NO.	PART NO.	DESCRIPTION	MH	EH	PH	PR	REMARKS
1	6AH-61350-00	STEERING GUIDE ATTACHMENT KIT				1	AP
2	90201-10M20	.WASHER, PLATE				2	
3	90185-09M01	.NUT, SELF-LOCKING				2	
4	90170-09M03	.NUT				1	
5	90387-10M42	.COLLAR				1	
6	6E5-61355-00	.BOLT				1	
7	90201-10M63	.WASHER, PLATE				1	
8	6E5-43145-01	.CAP, CLAMP BRACKET				1	
9	93210-16275	.O-RING				1	



67M0100-8280

FIG. 34 REMOTE CONTROL BOX

REF. NO.	PART NO.	DESCRIPTION	MH	EH	PH	PR	REMARKS
1	703-48205-A5	REMOTE CONTROL ASSY (10P)				1	AP WITH PT/T SW.
2	701-48310-90	CABLE, REMOTE CONTROL L=11F				2	UR
	701-48320-00	CABLE, REMOTE CONTROL L=12F				2	UR
	701-48320-20	CABLE, REMOTE CONTROL L=13F				2	UR
	701-48320-50	CABLE, REMOTE CONTROL L=15F				2	UR



60C1200-1290

FIG. 35 REMOTE CONTROL ASSY

REF. NO.	PART NO.	DESCRIPTION	MH	EH	PH	PR	REMARKS
1	703-48205-A5	REMOTE CONTROL ASSY (10P)				1	AP WITH PT/T SW.
2	703-48261-01	.ARM, THROTTLE				1	
3	703-48153-00	.SHAFT, FREE ACCEL.				1	
4	703-48235-00	.BUSHING				1	
5	703-48268-00	.SPACER				1	
6	703-48264-00	.FRICTION, THROTTLE				1	
7	95380-05600	.NUT				1	
8	97380-05025	.BOLT				1	
9	703-48265-00	.SHAFT, FRICTION				1	
10	93430-06024	.CIRCLIP				3	
11	703-48245-00	.PLATE, LOCK				1	
12	703-48252-00	.ROLLER, CAM				1	
13	701-48248-00	.ROLLER, FREE ACCEL.				1	
14	703-48198-00	.WASHER, WAVE				1	
15	703-48243-00	.BUSHING				1	
16	703-48236-00	.BUSHING 1				2	
17	703-48189-00	.RETAINER				1	
18	703-48234-00	.ROLLER, DETENT				1	
19	703-48345-01	.CABLE END, REMOTE CONTROL 2				2	
20	703-48358-00	.ANCHOR, CABLE				1	
21	703-48244-00	.SPRING, FREE ACCEL.				1	
22	703-48238-00	.SPRING, DETENT				5	
23	703-48246-00	.SPACER				1	
24	703-48227-00	.SPRING, NEUTRAL LOCK				1	
25	703-82594-00	.CLAMP				1	WITH PT/T SW.
26	703-48226-00	.PLATE, STOPPER				1	
27	703-48222-00	.GRIP, CONTROL LEVER				1	SINGLE

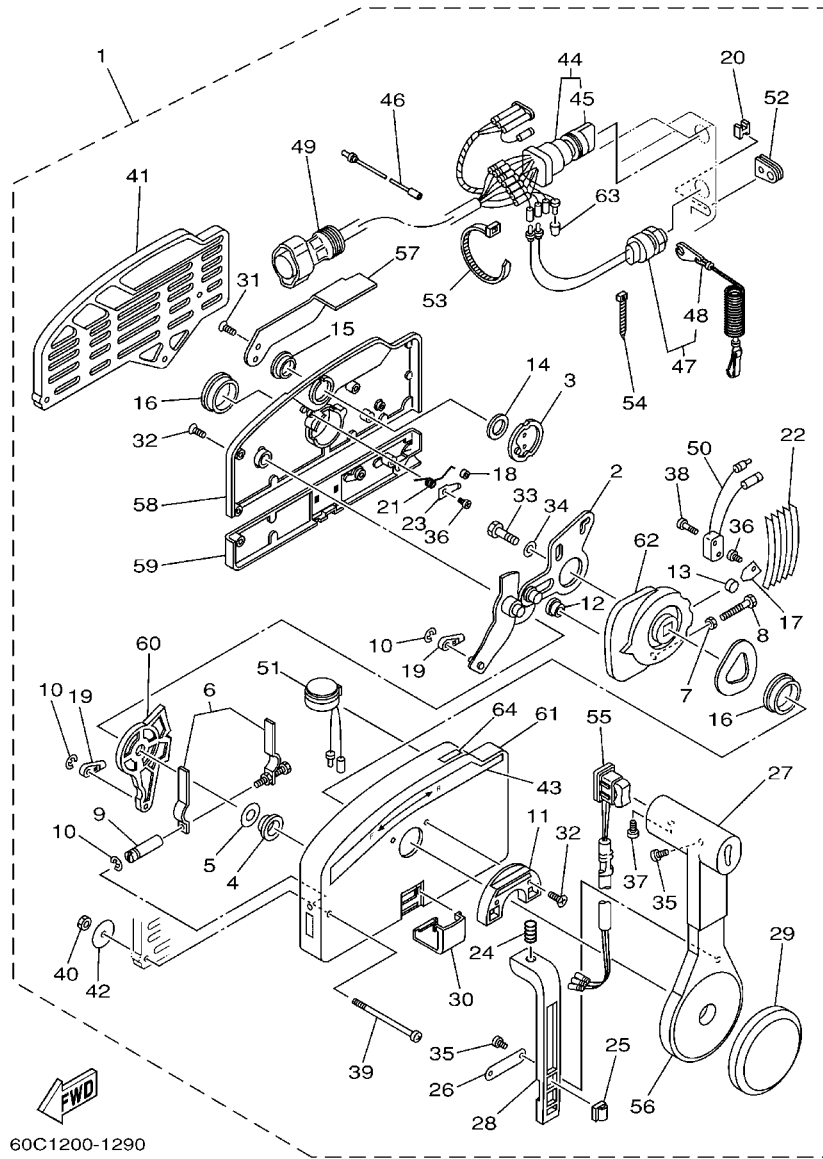
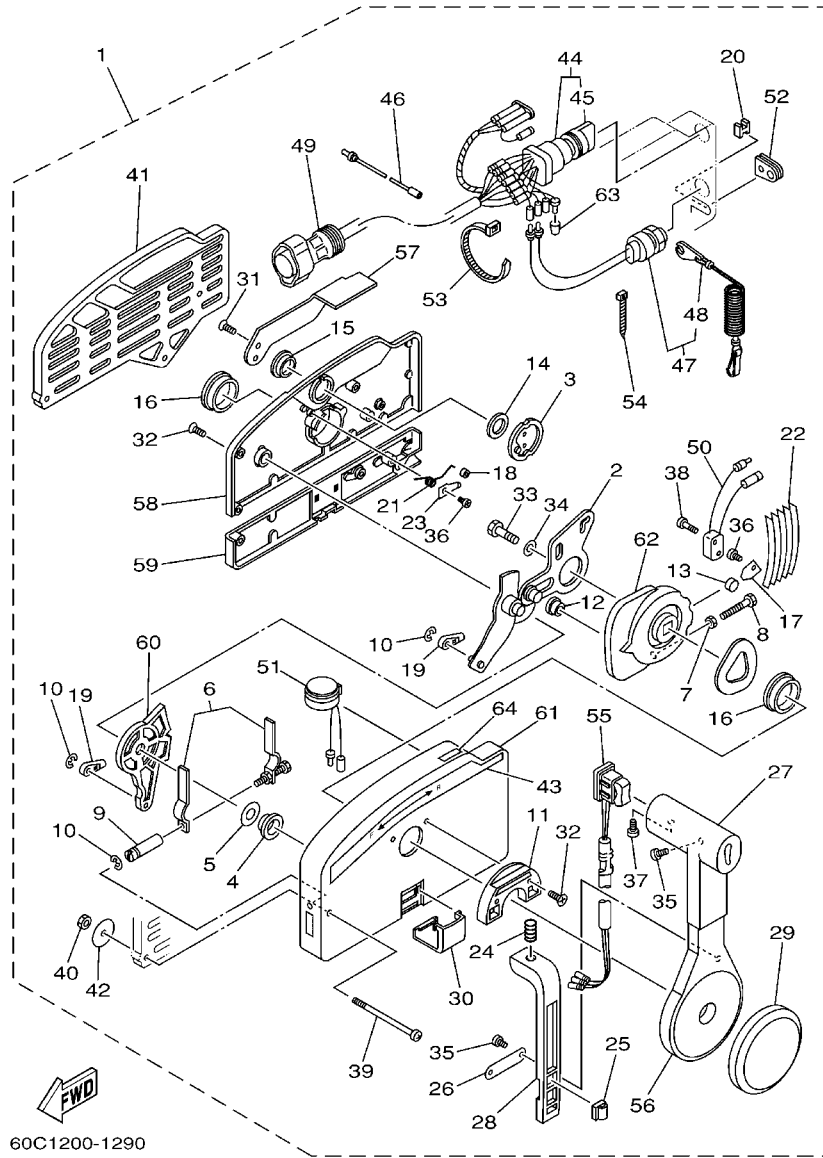


FIG. 35 REMOTE CONTROL ASSY

REF. NO.	PART NO.	DESCRIPTION	MH	EH	PH	PR	REMARKS
28	703-48223-00	.LOCK, NEUTRAL				1	
29	703-48225-00	.COVER				1	
30	703-48219-00	.COVER, LEAD				1	
31	703-48281-00	.SCREW				2	
32	703-48282-00	.SCREW				7	
33	97380-08030	.BOLT				1	
34	92990-08600	.WASHER, PLATE				1	
35	98580-04010	.SCREW, PAN HEAD				3	
36	98580-04006	.SCREW, PAN HEAD				2	
37	98580-05010	.SCREW, PAN HEAD				1	
38	98580-03015	.SCREW, PAN HEAD				2	
39	703-48291-10	.SCREW (M6)				3	
40	95380-06600	.NUT, HEXAGON				3	
41	703-48293-10	.SPACER, REMOTE CONTROL				1	SINGLE
42	701-48287-00	.WASHER				3	
43	703-48215-00	.GRAPHIC				1	
44	703-82510-12	.MAIN SWITCH ASSY				1	PRIME START
45	676-82577-00	.CAP, KEY				1	
46	703-82531-00	.WIRE, LEAD (L70)				1	
47	688-82575-01	.ENGINE STOP SWITCH ASSY				1	
48	682-82556-00	.LANYARD, STOP SWITCH				1	
49	688-8258A-20	.EXTENSION, WIRE HARNESS (4.9M)				1	(10P)
50	703-82540-00	.NEUTRAL SWITCH ASSY				1	
51	703-83383-B0	.BUZZER				1	
52	703-48284-00	.GROMMET				1	
53	703-82591-00	.BAND				1	
54	703-82592-00	.BAND				1	



60C1200-1290

FIG. 35 REMOTE CONTROL ASSY

REF. NO.	PART NO.	DESCRIPTION	MH	EH	PH	PR	REMARKS
55	703-82563-02	.TRIM & TILT SWITCH ASSY				1	WITH PT/T SW.
56	703-48221-00	.LEVER, CONTROL				1	
57	703-48152-00	.KNOB, FREE ACCEL.				1	
58	703-48212-00	.BACK PLATE 1				1	
59	703-48213-00	.BACK PLATE 2				1	
60	703-48271-00	.ARM, SHIFT				1	
61	703-48211-01	.HOUSING,1				1	
62	703-48232-00	.GEAR				1	
63	703-82542-00	.CAP				1	
64	703-48218-00	.GRAPHIC				1	

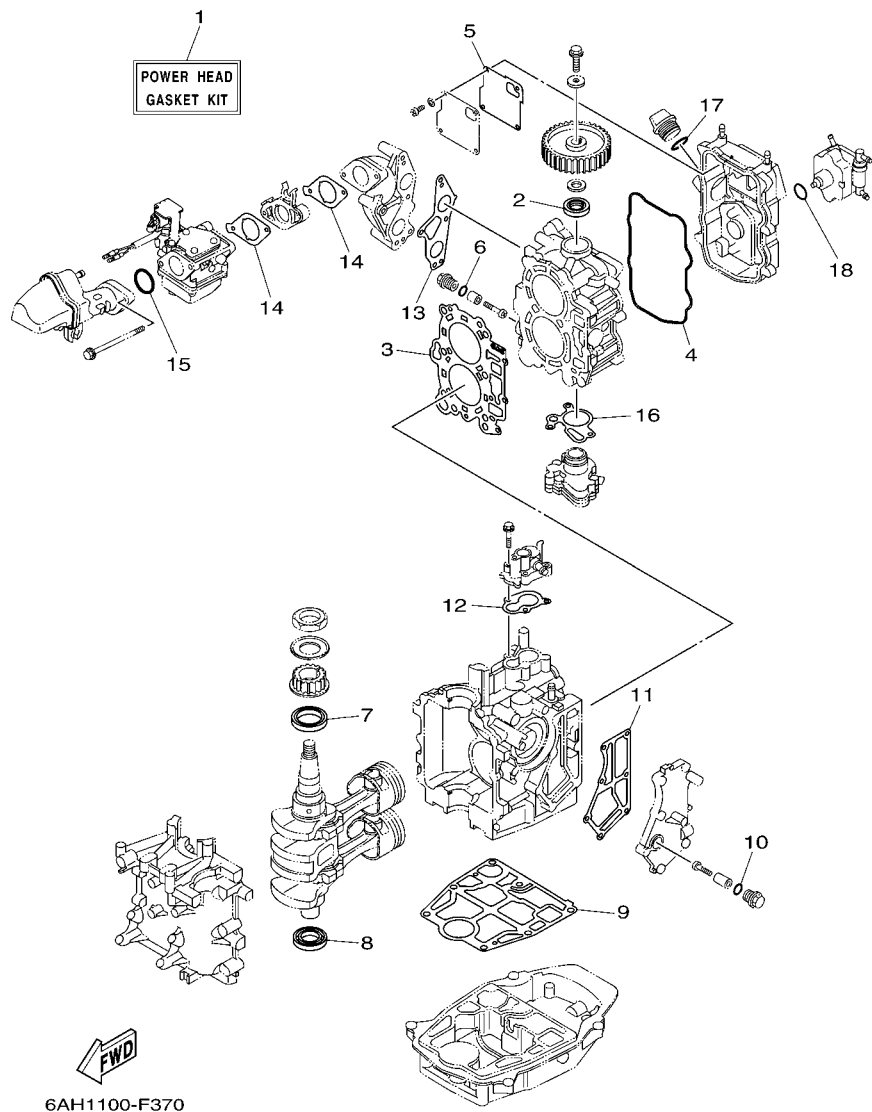
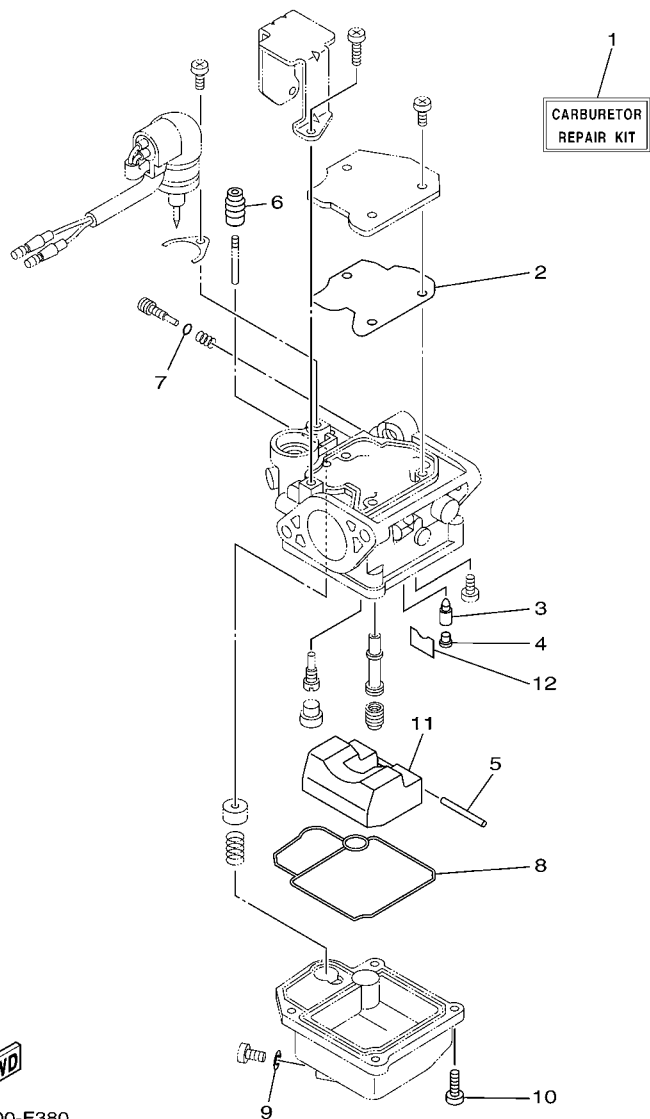


FIG. 36 REPAIR KIT 1

REF. NO.	PART NO.	DESCRIPTION	MH	EH	PH	PR	REMARKS
1	6AG-W0001-00	POWER HEAD GASKET KIT	1	1	1	1	
2	93102-22009	.OIL SEAL	1	1	1	1	
3	6AG-11181-00	.GASKET, CYLINDER HEAD 1	1	1	1	1	
4	6AH-11356-00	.SEAL, CYLINDER 2	1	1	1	1	
5	6AH-11169-00	.GASKET, BREATHER COVER	1	1	1	1	
6	93210-13M63	.O-RING	2	2	2	2	
7	93102-37004	.OIL SEAL	1	1	1	1	
8	93102-25014	.OIL SEAL	1	1	1	1	
9	6AH-11351-00	.GASKET, CYLINDER	1	1	1	1	
10	93210-13M63	.O-RING	1	1	1	1	
11	6AH-41114-00	.GASKET, EXHAUST OUTER COVER	1	1	1	1	
12	6AH-12414-00	.GASKET, COVER	1	1	1	1	
13	6AH-13645-00	.GASKET, MANIFOLD 1	1	1	1	1	
14	6AH-13646-00	.GASKET, MANIFOLD 2	2	2	2	2	
15	93210-35M86	.O-RING	1	1	1	1	
16	6AH-13329-00	.GASKET, PUMP COVER	1	1	1	1	
17	93210-24M79	.O-RING	1	1	1	1	
18	93210-20M65	.O-RING	1	1	1	1	



6AH1100-F380

FIG. 37 REPAIR KIT 2

REF. NO.	PART NO.	DESCRIPTION	MH	EH	PH	PR	REMARKS
1	6AH-W0093-00	CARBURETOR REPAIR KIT	1	1	1	1	
2	65W-14126-10	.GASKET	1	1	1	1	
3	6G1-14546-01	.VALVE, NEEDLE	1	1	1	1	
4	676-14186-00	.PIN, FLOAT	1	1	1	1	
5	6H4-14548-00	.PIN, FLOAT ARM	1	1	1	1	
6	65W-14373-01	.COVER, PLUNGER CAP	1	1	1	1	
7	67C-14397-00	.O-RING	1	1	1	1	
8	6AH-14384-00	.GASKET, FLOAT CHAMBER	1	1	1	1	
9	65W-14398-00	.GASKET	1	1	1	1	
10	97980-04114	.SCREW, WITH WASHER	4	4	4	4	
11	6AH-14985-00	.FLOAT	1	1	1	1	
12	663-14159-00	.CLIP	1	1	1	1	

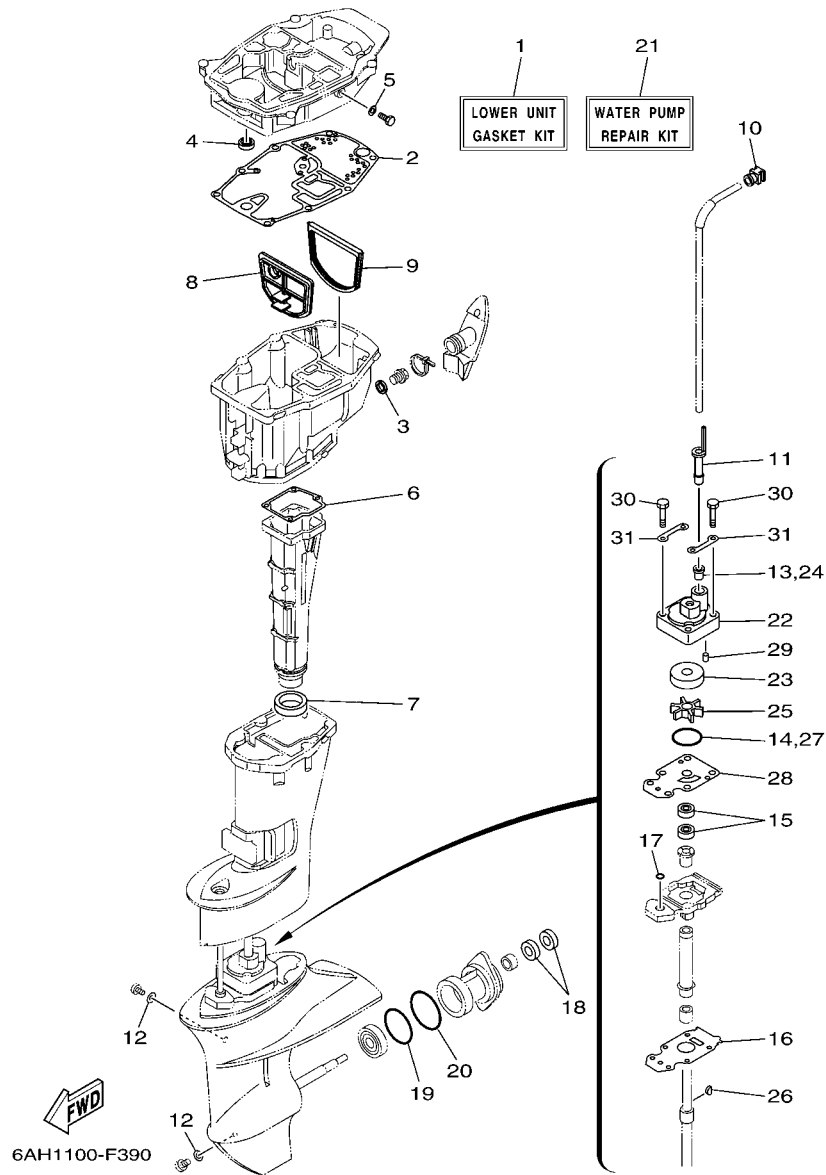


FIG. 38 REPAIR KIT 3

REF. NO.	PART NO.	DESCRIPTION	MH	EH	PH	PR	REMARKS
1	6AH-W0001-20	LOWER UNIT GASKET KIT	1	1	1	1	
2	6AH-15312-00	.GASKET, OIL PAN	1	1	1	1	
3	90430-14M09	.GASKET	1	1	1	1	
4	93101-12M63	.OIL SEAL	1	1	1	1	
5	90430-08143	.GASKET	1	1	1	1	
6	6AH-41134-00	.GASKET, EXHAUST MANIFOLD	1	1	1	1	
7	6AH-41138-00	.SEAL, EXT. 1	1	1	1	1	
8	6AH-45126-00	.PLATE, SEAL DAMPER	1	1	1	1	
9	6AH-45115-00	.GASKET, UPPER CASING	1	1	1	1	
10	6AH-44365-00	.DAMPER, WATER SEAL	1	1	1	1	
11	6AH-44368-00	.RUBBER, WATER SEAL 4	1	1	1	1	
12	90430-08020	.GASKET	2	2	2	2	
13	6L2-44367-00	.DAMPER, WATER SEAL	1	1	1	1	
14	93210-49046	.O-RING	1	1	1	1	
15	93101-20001	.OIL SEAL	2	2	2	2	
16	69G-45315-A0	.PACKING, LOWER CASING	1	1	1	1	
17	93210-06ME6	.O-RING	1	1	1	1	
18	93101-17054	.OIL SEAL	2	2	2	2	
19	93210-57M09	.O-RING	1	1	1	1	
20	93210-56M80	.O-RING	1	1	1	1	
21	6AH-W0078-00	WATER PUMP REPAIR KIT	1	1	1	1	
22	6AH-44311-00	.HOUSING, WATER PUMP	1	1	1	1	
23	63V-44322-00	.INSERT, CARTRIDGE	1	1	1	1	
24	6L2-44367-00	.DAMPER, WATER SEAL	1	1	1	1	
25	63V-44352-01	.IMPELLER	1	1	1	1	
26	664-44338-00	.KEY, WOODRUFF	1	1	1	1	
27	93210-49046	.O-RING	1	1	1	1	

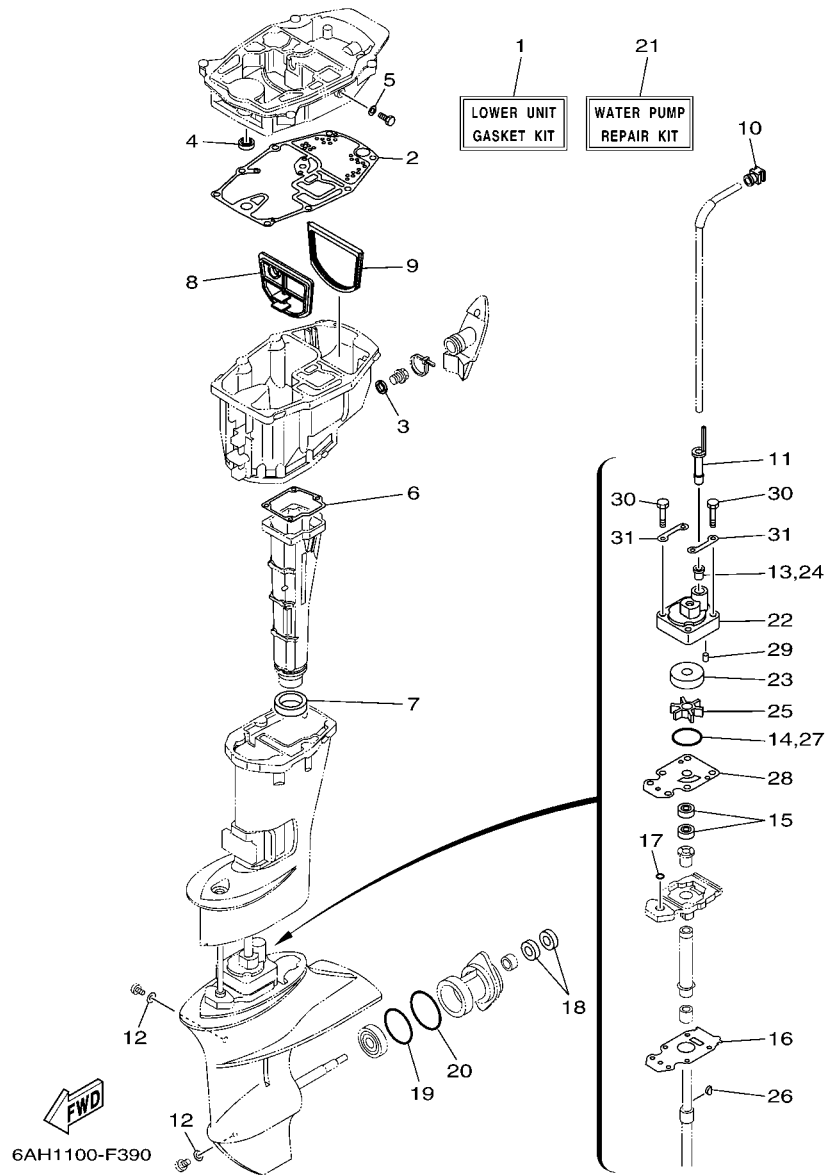


FIG. 38 REPAIR KIT 3

REF. NO.	PART NO.	DESCRIPTION	MH	EH	PH	PR	REMARKS
28	68T-44323-00	.OUTER PLATE, CARTRIDGE	1	1	1	1	
29	93604-12M07	.PIN, DOWEL	2	2	2	2	
30	97080-08045	.BOLT	4	4	4	4	
31	63V-44328-00	.PLATE	2	2	2	2	

PARTS NEWS



News No. PE0-OM-080074(1/3)

Date: 2008/11/13

Signature: K . Otsuka

Cause Revision Notice Correction Sales Unit Change Others

Model	F13.5B / F15, F15C / F20, F20B
Subject	PARTS CATALOGUE CORRECTIONS
CATALOGUE NO.	See the "List of Models and CATALOGUE No's below."
Time of YPEC Revision Text, Illustration --> Dec./20/2008 PDF Replace --> Dec./20/2008 (YPEC = Yamaha Parts Electrical Catalogue = Website parts catalogue)	

REMO CON ATTACHMENT

1.LIST CORRECTION

Fig.No	Ref.No.	PARTNo.	PART NAME	Q'TY	REMARKS
*1	1	6AH-48501-00	REMOTE CONT. ATTACHMENT ASSY	1	*FIG addition
	2	6AH-42724-10	. GROMMET	1	
	3	90465-11M10	. CLAMP	1	
	4	65W-42726-10	. GROMMET	1	
	5	6AH-83773-00	. BRACKET, SWITCH	1	
	6	97595-06530	. BOLT, WITH WASHER	2	
	7	6AH-48532-00	. BRACKET, REMOTE CONTROL 2	1	
	8	90480-19031	. GROMMET	1	
	9	682-48538-50	. CLAMP, CABLE 1	1	
	10	91690-30012	. PIN, SPRING	1	
	11	97595-06514	. BOLT, WITH WASHER	2	
	12	663-48344-00	. CABLE END, REMOTE CONTROL	1	
	13	90468-18008	. CLIP	1	
	14	6AH-48531-00	. BRACKET, REMOTE CONTROL 1	1	
	15	90109-06M86	. BOLT	1	
	16	663-48344-00	. CABLE END, REMOTE CONTROL	1	
	17	90468-18008	. CLIP	1	
	18	90465-13M18	. CLAMP	2	
	19	6D5-84340-00	. SOCKET CORD ASSY 1	1	

* These changes are applied from initial production.

Applicable Model	Model Code
F13.5BMH,F13.5BEH	6AF1 / 6AF2 / 6AF3
F15MH,F15EH / F15CMH,F15CEH,F15CPH	6AG1 / 6AG2 / 6AG3
F20MH,F20EH,F20PH / F20BMH,F20BEH,F20BEHP	6AH1 / 6AH2 / 6AH3

Parts
Manager
Check

Service
Manager
Check

Parts
Manager
File

YAMAHA MOTOR CO.,LTD
2500 Shingai Iwata Shizuoka 438-8501.Japan
Technical Publication Dept.



PARTS NEWS

News No. PE0-OM-080074(2/3)

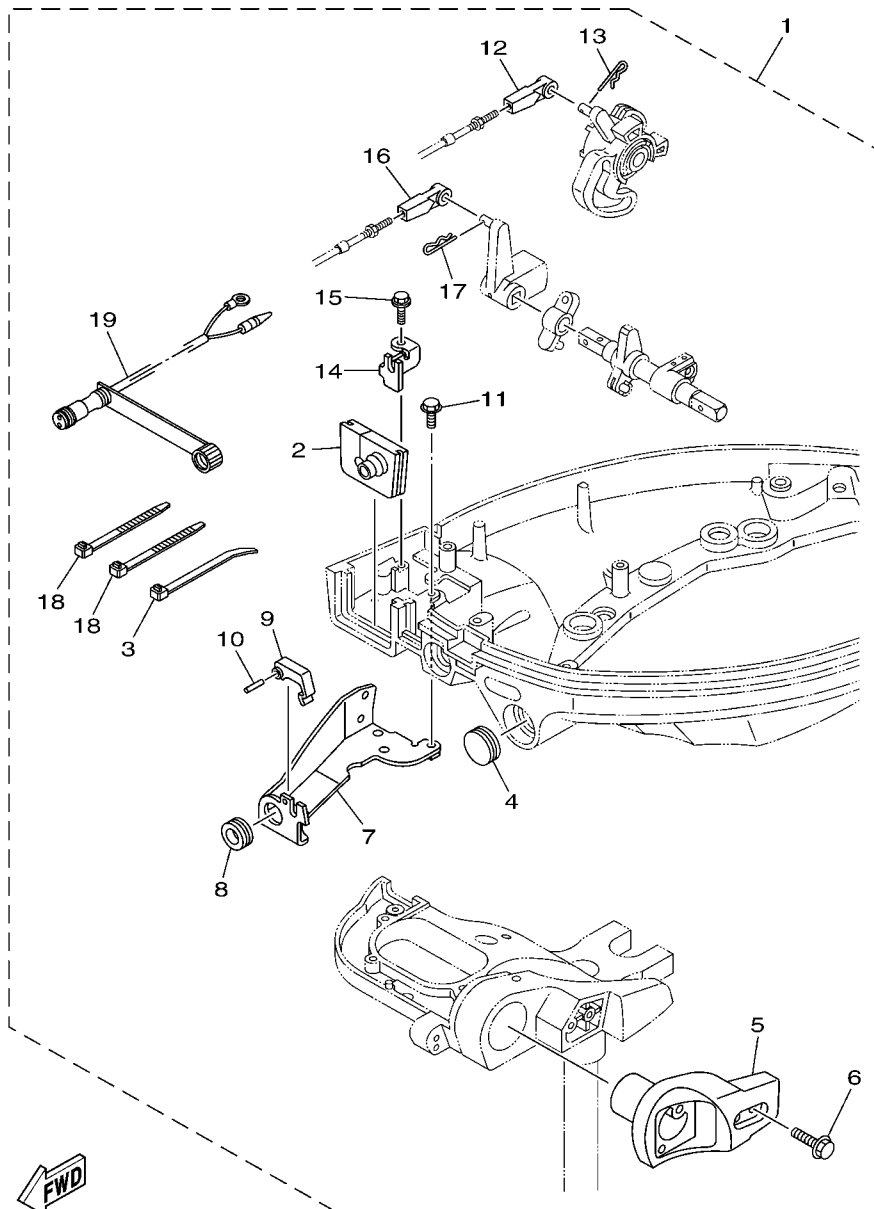
Date: 2008/11/13

Signature: K . Otsuka

Cause Revision Notice Correction Sales Unit Change Others

Model	F13.5B / F15, F15C / F20, F20B
Subject	PARTS CATALOGUE CORRECTIONS
CATALOGUE NO.	See the "List of Models and CATALOGUE No's below."
Time of YPEC Revision Text, Illustration --> Dec./20/2008 PDF Replace --> Dec./20/2008 (YPEC = Yamaha Parts Electrical Catalogue = Website parts catalogue)	

REMO CON ATTACHMENT 2. ILLUSTRATION CORRECTION



Parts
Manager
Check

Service
Manager
Check

Parts
Manager
File

YAMAHA MOTOR CO.,LTD
2500 Shingai Iwata Shizuoka 438-8501 Japan
Technical Publication Dept.

PARTS NEWS



News No. PE0-OM-080074(3/3)

Date: 2008/11/13

Signature: K. Otsuka

Cause Revision Notice Correction Sales Unit Change Others

Model	F13.5B / F15, F15C / F20, F20B
Subject	PARTS CATALOGUE CORRECTIONS
CATALOGUE NO.	See the "List of Models and CATALOGUE No's below."
Time of YPEC Revision Text, Illustration --> Dec./20/2008 PDF Replace --> Dec./20/2008 (YPEC = Yamaha Parts Electrical Catalogue = Website parts catalogue)	

BRACKET 1 LIST CORRECTION

Fig.No	Ref.No.	PARTNo.	PART NAME	Q'TY	REMARKS
*2	11	63W-43131-10 or 69A-43131-00	BOLT, CLAMP BRACKET	1	FOR RIDE GUIDE FOR REMOTE CONTROL *Remarks change

BRACKET 2 LIST CORRECTION

Fig.No	Ref.No.	PARTNo.	PART NAME	Q'TY	REMARKS
*3	19	69A-43131-00	BOLT, CLAMP BRACKET	1	FOR REMOTE CONTROL *Remarks change

LIST of Models and CATALOGUE No's.

The applicable MODELS, MODEL CODES, and CATALOGUE No's are as follows.

MODEL NAME	MODEL CODE	MODEL YEAR	CATALOGUE NO.	Fig.No.		
				*1	*2	*3
F15, F15C '07 F20, F20B '07	6AG1 6AH1	2007	1F6AG-100E1	40	24	25
F13.5B '07	6AF1	2007	1F6AF-300F1	38	23	24
F15C '07	6AG1	2007	1F6AG-300F1	38	23	24
F20B '07	6AH1	2007	1F6AH-300F1	38	23	24
F15, F15C '08 F20, F20B '08	6AG2 6AH2	2008	1G6AG-100E1	40	24	25
F13.5B '08 F15C '08 F20B '08	6AF2 6AG2 6AH2	2008	1G6AG-300F1	38	23	24
F20BMH '08	6AH2	2008	1G6AH-200S1	29	19	-
F15C-2009	6AG3	2009	1H6AG-110E1	34	-	24
F20-2009	6AH3	2009	1H6AH-110E1	36	24	25
F15, F15C '09 F20, F20B '09	6AG3 6AH3	2009	1H6AG-100E1	39	23	24
F13.5B '09 F15C '09 F20B '09	6AF3 6AG3 6AH3	2009	1H6AG-300F1	38	23	24

Thank you very much for your cooperation.

Parts
Manager
Check

Service
Manager
Check

Parts
Manager
File

YAMAHA MOTOR CO.,LTD
2500 Shingai Iwata Shizuoka 438-8501.Japan
Technical Publication Dept.



NUMERICAL INDEX

PART NO.	REF. NO.	PART NO.	REF. NO.	PART NO.	REF. NO.	PART NO.	REF. NO.	PART NO.	REF. NO.	PART NO.	REF. NO.
90465-11M10	12 - 34	91690-50014	6 - 4	92995-06600	25 - 23	93210-56M80	29 - 46	97013-08045	17 - 16	97095-08025	13 - 29
	16 - 2	92902-06200	26 - 17		25 - 29		38 - 20	97075-06012	18 - 37		25 - 31
	18 - 16	92903-06600	2 - 6		27 - 10	93210-57M09	29 - 45	97075-06020	29 - 47	97380-05025	35 - 8
	18 - 22		28 - 10		29 - 48		38 - 19	97075-06025	27 - 9	97380-08030	35 - 33
	30 - 3	92903-08600	17 - 17	92995-08600	13 - 30	93306-00501	29 - 42	97075-08030	27 - 13	97595-06555	6 - 3
90465-11M59	28 - 5		17 - 19		13 - 32	93315-314V8	29 - 3		30 - 6		19 - 29
90465-13M18	6 - 16	92907-04600	4 - 16		17 - 21	93315-317U2	29 - 43	97080-08016	24 - 30		21 - 23
	12 - 6	92990-06200	19 - 38		25 - 32	93332-00005	29 - 8	97080-08025	29 - 26		22 - 31
	12 - 39	92990-06300	30 - 14		27 - 14	93420-30042	27 - 22	97080-08045	29 - 19	97780-50616	1 - 3
	13 - 27	92990-06600	23 - 17		30 - 7	93430-04M03	23 - 39		38 - 30	97780-60520	19 - 32
	14 - 2	92990-08600	24 - 37	93101-12M63	27 - 2	93430-06024	35 - 10	97095-05010	27 - 16		25 - 26
	15 - 16		35 - 34		38 - 4	93450-17129	3 - 8	97095-05012	11 - 5	97880-05025	2 - 12
	15 - 18	92995-05600	1 - 9	93101-17054	29 - 44	93501-08001	26 - 14	97095-05014	1 - 8		2 - 23
90465-13M97	24 - 24		20 - 12		38 - 18		26 - 43	97095-05020	20 - 11		4 - 18
90467-09M17	9 - 13		27 - 17	93101-20001	29 - 23		26 - 51	97095-06008	27 - 19	97880-06010	12 - 11
	9 - 29	92995-06100	13 - 13		38 - 15	93602-15250	26 - 47	97095-06010	13 - 12	97885-06012	12 - 26
90468-10005	21 - 29		18 - 41	93102-22009	8 - 18	93604-12M07	27 - 15		18 - 29	97885-06020	16 - 3
90468-18008	19 - 39	92995-06600	4 - 12		36 - 2		28 - 3		24 - 42	97885-06030	18 - 40
	22 - 23		6 - 7	93102-25014	3 - 10		29 - 18	97095-06012	6 - 6	97980-04108	7 - 31
	22 - 37		10 - 27		36 - 8		30 - 5		18 - 12	97980-04110	7 - 5
90480-06M19	8 - 14		10 - 27	93102-37004	3 - 9		38 - 29	97095-06014	12 - 19	97980-04114	7 - 29
90480-10627	8 - 12		12 - 3		36 - 7	93606-12019	2 - 3		12 - 32		37 - 10
90480-10M23	12 - 9		12 - 17	93210-06001	26 - 48		4 - 5		13 - 8	97985-06214	14 - 14
90480-13M24	13 - 5		12 - 20	93210-06ME6	29 - 25	93606-14081	26 - 54		13 - 17		15 - 31
	13 - 41		12 - 27		38 - 17	93606-19M23	27 - 6		13 - 17		15 - 33
90480-14M54	27 - 20		12 - 33	93210-07003	26 - 6	93700-06M03	25 - 19		13 - 43	98507-04010	4 - 15
90480-16007	18 - 19		12 - 37	93210-08287	31 - 14	94702-00418	4 - 25		14 - 12	98580-03015	35 - 38
90480-16616	6 - 15		13 - 9		31 - 16	95380-04600	9 - 24		15 - 5	98580-04006	7 - 2
90480-19031	22 - 17		13 - 14	93210-12N52	26 - 34	95380-05600	35 - 7		15 - 29		35 - 36
90480-19368	14 - 9		13 - 18	93210-13M63	2 - 14	95380-06600	18 - 43		17 - 24	98580-04008	7 - 16
	15 - 27		13 - 18		4 - 20		35 - 40		19 - 20	98580-04010	35 - 35
90480-21M82	18 - 3		13 - 44		36 - 6	95380-06700	21 - 15		21 - 24	98580-05010	35 - 37
90480-25003	12 - 14		14 - 13		36 - 10		22 - 15		21 - 31	98780-04016	2 - 27
90501-10326	7 - 8		15 - 6	93210-16275	33 - 9		23 - 18		22 - 20	98980-06030	13 - 3
90501-120A5	5 - 12		15 - 30	93210-20M65	9 - 27	95380-08600	9 - 10		22 - 32		13 - 39
90501-150A0	29 - 40		16 - 4		36 - 18	95380-10600	25 - 10		25 - 21	99002-03600	26 - 32
90501-23215	19 - 16		17 - 25	93210-24709	26 - 8	95780-06500	13 - 6	97095-06016	12 - 36	99080-05600	23 - 29
90502-10M07	23 - 22		18 - 13		26 - 12		13 - 42	97095-06020	4 - 11		23 - 31
90506-18014	23 - 33		18 - 30	93210-24M79	4 - 22	95895-06014	21 - 12		10 - 26		23 - 41
90506-20020	23 - 35		18 - 38		36 - 17		22 - 12		10 - 26	99080-10600	24 - 34
90508-20M44	21 - 17		18 - 42	93210-29M94	25 - 5	95895-06020	9 - 3		12 - 2		
	22 - 25		19 - 21	93210-320A7	26 - 4	95895-06030	11 - 6		21 - 6		
91312-05025	26 - 55		21 - 7	93210-32738	9 - 8	95895-06035	30 - 13		22 - 6		
91490-16010	19 - 12		21 - 32	93210-35M86	6 - 11	95895-06100	6 - 12	97095-06025	12 - 16		
91490-30020	30 - 19		22 - 7		36 - 15	97013-06012	5 - 10	97095-06030	25 - 28		
91690-30008	23 - 21		22 - 21	93210-49046	29 - 16	97013-06016	28 - 9	97095-08014	27 - 4		
91690-30012	22 - 19		24 - 43		38 - 14	97013-06040	2 - 5	97095-08016	13 - 31		
91690-30018	24 - 15		25 - 22		38 - 27	97013-08035	17 - 18		17 - 20		